

CRR Series Countertop Rotating Cake Display

MODEL #360CRR2HCW

06/2021

REFRIGERATION
AVANTCO

www.AvantcoRefrigeration.com

CRR SERIES - COUNTERTOP ROTATING CAKE DISPLAY

Great for showing off decadent dessert options at eye level and saving on precious floor space.

CABINET CONSTRUCTION

Compact, countertop design requires minimal space. Plastic and tempered glass exterior.

Glass door and rear glass window provide product visibility for merchandising.

REFRIGERATION SYSTEM

1/6 hp compressor uses R290 refrigerant. Operation requires an 115V electrical connection.

SHELVING

A 4 tiered rotating chrome rack can accommodate up to 22 lb.

MODEL FEATURES

Intuitive, easy to read electronic controls.

Operates in an ambient temperature up to 90°.

LED Lighted interior saves energy by producing less heat and maximizes product visibility in display area.

Automatic defrost system.

SPECIAL FEATURES

- Compact, countertop design puts display at eye level of customers
- Eco-friendly R290 hydrocarbon refrigerant
- Rotating shelf gives customers 360° view of desserts
- 4 tiers of shelves with combined weight capacity of 22 lb
- Intuitive digital temperature controls with back-lit light switch
- Maintains a temperature range from 33-40° F
- Glass door and rear full length window provide full visibility of products
- Auto defrost for easy maintenance
- 115V, 1/6 hp



WARRANTY

RESIDENTIAL: Avantco assumes no liability for parts or labor coverage for component failure, factory defect or any other damages for units installed in non-commercial foodservice or residential applications.



Replacement



CRR Series Countertop Rotating Cake Display

MODELS #360CRR2HCW



www.AvantcoRefrigeration.com

TECHNICAL DATA

Dimensions

Exterior Dimensions	17 ³ / ₄ " round x 38 ³ / ₄ "H
Interior Dimensions	13 ³ / ₄ "W round x 25 ³ / ₈ "H
Net Volume	2.47 cu. ft.
Net Weight	85 lb.
Gross Weight	90 lb.
Packaging Dimensions	19 ³ / ₄ "W x 19 ³ / ₄ "D x 41 ¹ / ₄ "H

Cooling

Temperature Range	33 - 40°F
Refrigerant	R290
Max. Ambient Temperature	90°F
Defrosting	Automatic
Temperature Controller	Digital
Horsepower	1/6
BTU	648

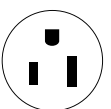
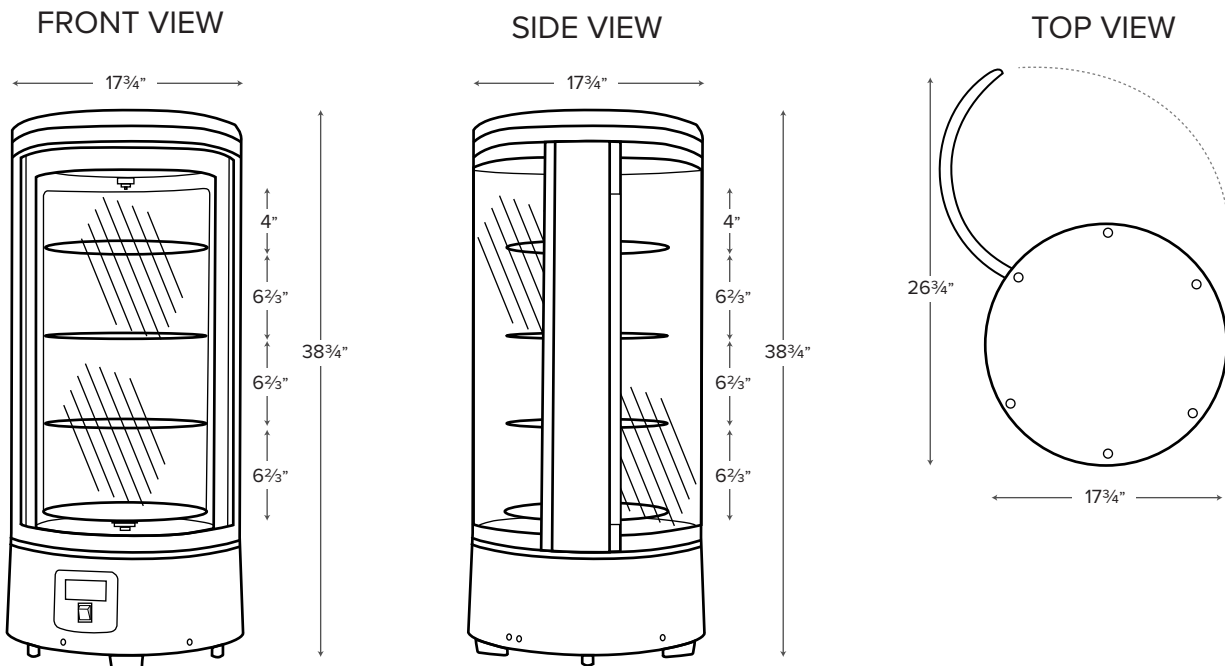
Construction

Exterior Material	Plastic and Tempered Glass
Door Type	Hinged
Shelves	Rotating Chrome Rack
Shelf Material	Chrome Plated
Shelf Load Capacity	22 lb.

Electrical

Voltage	115
Amps	1.5
Hz	60
Phase	1
Plug Type	NEMA 5-15P
Electrical Cord Length	94"

PLAN VIEW



NEMA 5-15P