

# CRR Series Countertop Rotating Cake Display

**MODEL #360CRR2HCB**

## CRR SERIES - COUNTERTOP ROTATING CAKE DISPLAY

Great for showing off decadent dessert options at eye level and saving on precious floor space.

### CABINET CONSTRUCTION

Compact, countertop design requires minimal space. Plastic and tempered glass exterior.

Glass door and rear glass window provide product visibility for merchandising.

### REFRIGERATION SYSTEM

1/6 hp compressor uses R290 refrigerant. Operation requires an 115V electrical connection.

### SHELVING

A 4 tiered rotating chrome rack can accommodate up to 22 lb.

### MODEL FEATURES

Intuitive, easy to read electronic controls.

Operates in an ambient temperature up to 90°.

LED Lighted interior saves energy by producing less heat and maximizes product visibility in display area.

Automatic defrost system.



[www.AvantcoRefrigeration.com](http://www.AvantcoRefrigeration.com)

## SPECIAL FEATURES

- Compact, countertop design puts display at eye level of customers
- Eco-friendly R290 hydrocarbon refrigerant
- Rotating shelf gives customers 360° view of desserts
- 4 tiers of shelves with combined weight capacity of 22 lb.
- Intuitive digital temperature controls with back-lit light switch
- Maintains a temperature range from 33-40° F
- Glass door and rear full length window provide full visibility of products
- Auto defrost for easy maintenance
- 115V, 1/6 hp



## WARRANTY

RESIDENTIAL: Avantco assumes no liability for parts or labor coverage for component failure, factory defect or any other damages for units installed in non-commercial foodservice or residential applications.



Replacement



# CRR Series Countertop Rotating Cake Display



[www.AvantcoRefrigeration.com](http://www.AvantcoRefrigeration.com)

**MODELS** #360CRR2HCB

## TECHNICAL DATA

### Dimensions

Exterior Dimensions	17 <sup>3</sup> / <sub>4</sub> " round x 38 <sup>3</sup> / <sub>4</sub> "H
Interior Dimensions	13 <sup>3</sup> / <sub>4</sub> "W round x 25 <sup>3</sup> / <sub>8</sub> "H
Net Volume	2.47 cu. ft.
Net Weight	85 lb.
Gross Weight	90 lb.
Packaging Dimensions	19 <sup>3</sup> / <sub>4</sub> "W x 19 <sup>3</sup> / <sub>4</sub> "D x 41 <sup>1</sup> / <sub>4</sub> "H

### Cooling

Temperature Range	33 - 40°F
Refrigerant	R290
Max. Ambient Temperature	90°F
Defrosting	Automatic
Temperature Controller	Digital
Horsepower	1/6
BTU	648

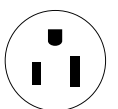
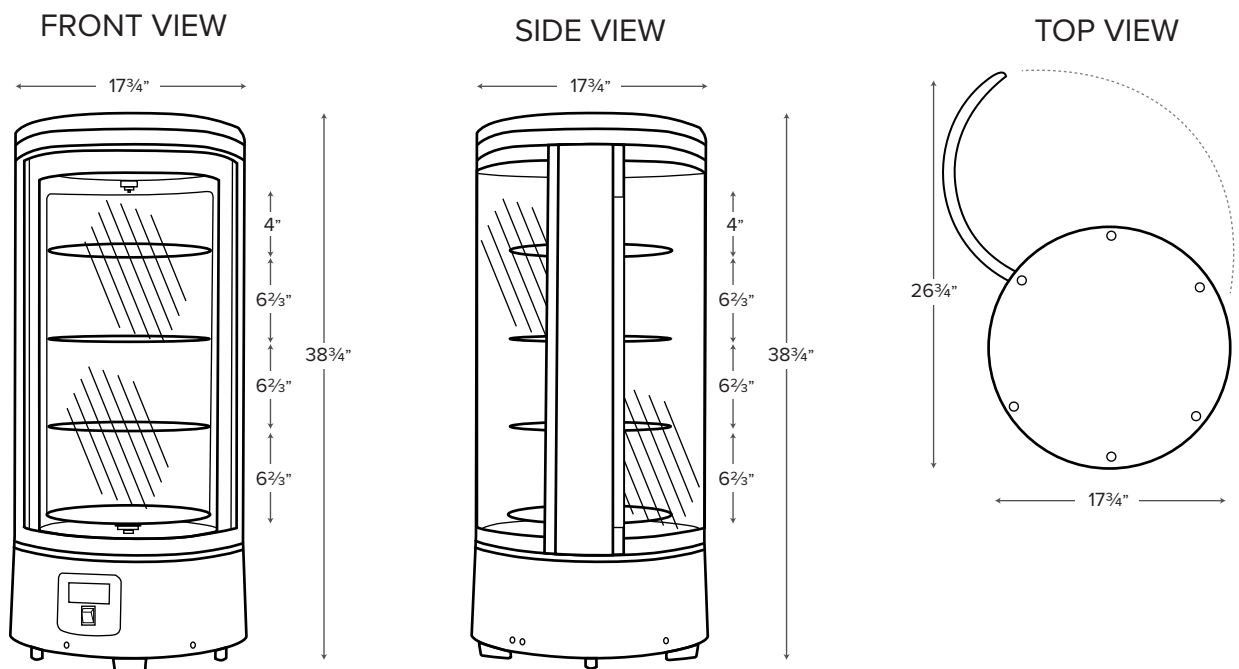
### Construction

Exterior Material	Plastic and Tempered Glass
Door Type	Hinged
Shelves	Rotating Chrome Rack
Shelf Material	Chrome Plated
Shelf Load Capacity	22 lb.

### Electrical

Voltage	115
Amps	1.5
Hz	60
Phase	1
Plug Type	NEMA 5-15P
Electrical Cord Length	94"

## PLAN VIEW



NEMA 5-15P