



CPT Series Countertop Refrigerated Prep Rail

MODELS #360CPT48, #360CPT48GLS (with Sneeze Guard)

CPT SERIES - COUNTERTOP PREP RAILS

Perfect for turning any workspace into a prep station. Increases the ease of prep work by fitting where a full size prep table could not, and can also be used as a self-serve ingredient station for customers.

CABINET CONSTRUCTION

Durable type 201 stainless steel construction with hinged lid(s). Optional glass sneeze guard available.

Compact, countertop design with shallow depth requires minimal space and leaves counter room at the front of the unit.

REFRIGERATION SYSTEM

1/6 hp compressor uses R600a refrigerant. Operation requires an 115V electrical connection.

Cold wall design keeps food cold even with repeated lid opening.

STORAGE

Includes pan support bars to hold food pans (sold separately).

MODEL FEATURES

Intuitive, easy to read electronic controls.

Operates in an ambient temperature up to 90°.

Foamed-in-place polyurethane insulation.

Automatic defrost system.

PROJECT: _____

MODEL: _____ SERIAL#: _____

ITEM #: _____ QUANTITY: _____

APPROVAL: _____ DATE: _____

SPECIAL FEATURES

- Holds up to (4) 1/3 size or (8) 1/6 size food pans (sold separately)
- Compact, countertop design gives customers easy access to condiments
- Eco-friendly R600a hydrocarbon refrigerant
- Hinged lid closes off food pans for safety from contaminants without needing individual lids
- Optional glass sneeze guard showcases condiments while preventing contamination
- Intuitive digital temperature controls with back-lit light switch
- Maintains a temperature range from 33-41° Fahrenheit
- Durable type 201 stainless steel holds up to wear-and-tear
- Non-scratch plastic feet will not leave marks on your countertop
- 115V, 1/6 hp



WARRANTY

RESIDENTIAL: Avantco assumes no liability for parts or labor coverage for component failure, factory defect or any other damages for units installed in non-commercial foodservice or residential applications.



TECHNICAL DATA

Dimensions

| | |
|---------------------------------------|-------------------------|
| Exterior Dimensions | 47¼"W x 15⅝"D x 11½"H |
| Exterior Dimensions with Sneeze Guard | 47¼"W x 15⅝"D x 17⅞"H |
| Interior Dimensions | 33½"W x 12¼"D x 6½"H |
| Height with Lid Open | 23¼" |
| Capacity | (4) ⅓ & (8) ⅙ Size Pans |
| Net Weight | 49 lb. |
| Net Weight with Sneeze Guard | 97 lb. |
| Gross Weight | 85 lb. |
| Gross Weight with Sneeze Guard | 132 lb. |
| Packaging Dimensions | 50⅓⅙"W x 18⅞"D x 18⅞"H |

Construction

| | |
|-----------------------------|------------------------------|
| Exterior Material | SS201 |
| Interior Material | SS201 |
| Door Type | Metal Lid |
| Door Type with Sneeze Guard | Glass Top |
| Insulation | Foamed-In-Place Polyurethane |

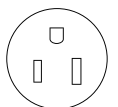
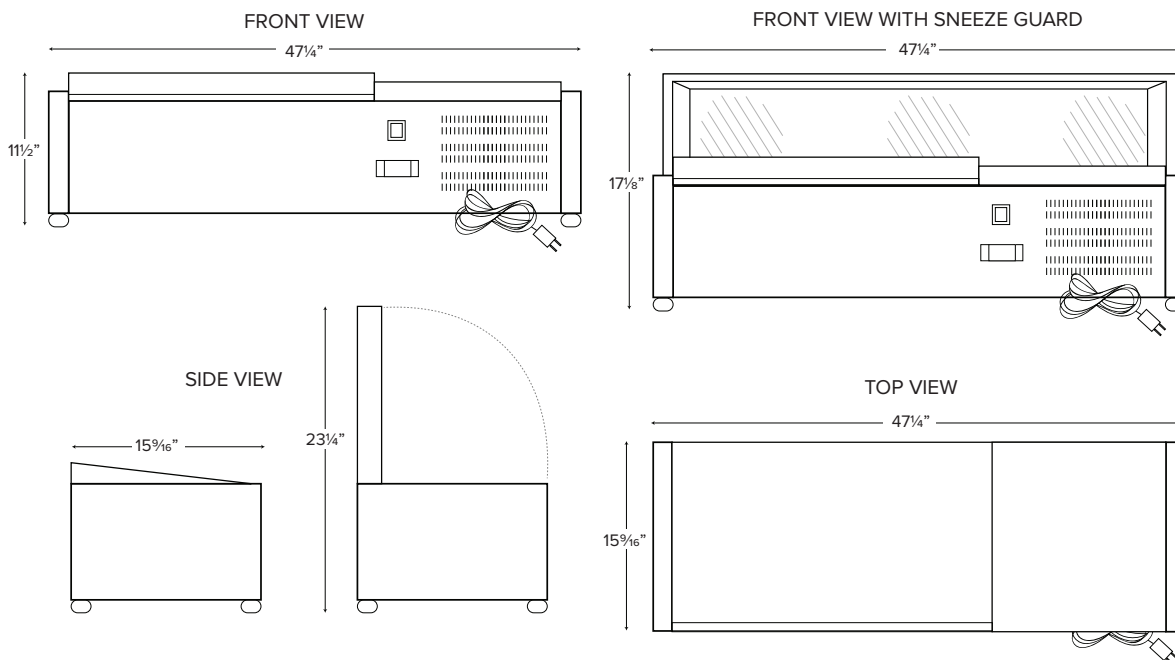
Cooling

| | |
|-------------------------|-----------|
| Temperature Range | 33°-41°F |
| Refrigerant | R600a |
| Max Ambient Temperature | 90°F |
| Defrosting | Automatic |
| Temperature Controller | Digital |
| Horsepower | 1/6 |
| BTU (BTU/HR) | 402 |

Electrical

| | |
|-------------|------------|
| Voltage | 115 |
| Amps | 1.6 |
| Hz | 60 |
| Phase | 1 |
| Plug | NEMA 5-15p |
| Cord Length | 60" |

PLAN VIEW



NEMA 5-15P