



PROJECT: \_\_\_\_\_

MODEL: \_\_\_\_\_ SERIAL#: \_\_\_\_\_

ITEM #: \_\_\_\_\_ QUANTITY: \_\_\_\_\_

APPROVAL: \_\_\_\_\_ DATE: \_\_\_\_\_

# BCC Series Countertop Bakery Display Case

**MODEL #360BCC48HCB**

**BCC SERIES - BLACK**

For showcasing refrigerated baked goods at the countertop level.

**CABINET CONSTRUCTION**

Black painted steel exterior with stainless steel front and 4-sided, double-glass display area to showcase product. 2 removable, sliding doors in rear for service.

**SHELVING**

2 adjustable, chrome plated wire shelves. Bottom shelf is deeper than top for maximum visibility. Each shelf holds up to 33 lb. of weight.

**REFRIGERATION SYSTEM**

Environmentally safe R290 refrigerant. Bottom-mounted condensing unit positioned for easy maintenance. Forced air system keeps baked goods fresh and prevents soginess. Maintains temperature between 36 and 43° F.

**MODEL FEATURES**

Digital temperature controller features manual defrost function. Small footprint makes it perfect for countertop use. Interior LED lighting illuminates product for a bright, effective display.

**SPECIAL FEATURES**

- Eco-friendly R290 hydrocarbon refrigerant
- 2 adjustable, chrome plated wire shelves accommodate up to 33 lb. each
- Each shelf adjusts to different product needs
- Deeper bottom shelf than top shelf for maximum visibility
- 4-sided double glass design showcases product
- Interior LED lighting
- Sliding access doors in rear
- Black painted steel exterior with stainless steel front
- 110V; 1/4hp



**WARRANTY**

RESIDENTIAL: Avantco assumes no liability for parts or labor coverage for component failure, factory defect or any other damages for units installed in non-commercial foodservice or residential applications.



Replacement



## TECHNICAL DATA

### Dimensions

Exterior Dimensions	48"W 22½"D x 27"H
Interior Dimensions	46½"W x 19¼"D x 16"H
Net Volume	5.54 cu. ft.
Net Weight	195 lb.
Gross Weight	204 lb.
Packaging Dimensions	50¾"W x 24¾"D x 30"H

### Cooling

Temperature Range	36 - 43°F
Refrigerant	R290
Max. Ambient Temperature	90°F
Defrosting	Automatic
Temperature Controller	Digital
Horsepower	1/4
BTU (BTU/hr)	1061

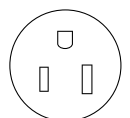
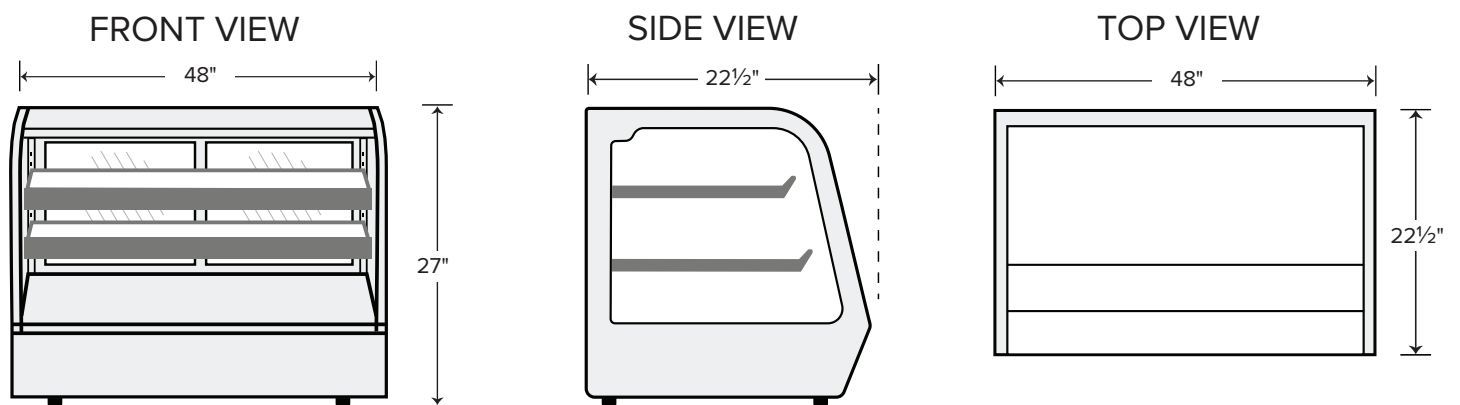
### Construction

Exterior Material	Painted Steel and Tempered Glass
Door Type	Sliding Glass
Shelves	(1) of 45½"Wx13¼"D and (1) of 45½"Wx14½"D
Shelf Material	Chrome Plated Wire
Shelf Load Capacity	33 lb.

### Electrical

Voltage	110
Amps	3.9
Hz	60
Phase	1
Plug Type	NEMA 5-15P
Electrical Cord Length	71"

## PLAN VIEW



NEMA 5-15P