

ADC Series Ice Cream Dipping Cabinet

REFRIGERATION
AVANTCO

www.AvantcoRefrigeration.com

MODEL #360ADC8HC

ADC SERIES - DIPPING CABINETS

Great for displaying, merchandising and serving a delicious variety of ice cream flavors.

CABINET CONSTRUCTION

Sturdy design features white powder-coated steel exterior and painted steel interior.

Foamed-in-place CFC- and HCFC-free polyurethane insulation enhances the structural integrity of the cabinet and promotes energy efficiency.

Locking glass lid provides constant product visibility to showcase a variety of ice cream flavors.

REFRIGERATION SYSTEM

Environmentally-safe R290 refrigerant. Side-mounted condensing unit for side and rear ventilation. Cold wall design prevents cold air from escaping.

STORAGE

Displays (8) 3-gallon tubs of ice cream at the perfect height for service. Additional storage for (6) 3-gallon tubs underneath.

MODEL FEATURES

Pre-drilled holes for dipper well installation on back of the cabinet.

2" diameter casters provide mobility for easy cleaning and service.

Drain plug located on backside of unit.

SPECIAL FEATURES

- Displays up to 8 ice cream tubs; space beneath display to store up to 6 back-up tubs
- White, curved-front design with painted steel construction
- Holds temperatures between -13 and 0°F; manual temperature control
- Environmentally-safe R290 refrigerant; manual defrost feature
- Perfect for ice cream shops, dessert bars, and cafeterias
- 115V, 2/5 hp



WARRANTY

RESIDENTIAL: Avantco assumes no liability for parts or labor coverage for component failure, factory defect or any other damages for units installed in non-commercial foodservice or residential applications.



Replacement



ADC Series Ice Cream Dipping Cabinet

MODEL #360ADC8HC



www.AvantcoRefrigeration.com

TECHNICAL DATA

Dimensions

| | |
|----------------------|---|
| Exterior Dimensions | 49 ⁵ / ₈ "W x 28 ¹ / ₈ "D x 34 ¹ / ₂ "H |
| Interior Dimensions | 43 ³ / ₄ "W x 24 ¹ / ₄ "D x 26 ⁵ / ₈ "H |
| Net Volume | 10.25 cu. ft. |
| Net Weight | 203 lb. |
| Gross Weight | 223 lb. |
| Packaging Dimensions | 52 ¹ / ₂ "W x 30"D x 37 ¹ / ₂ "H |
| Tubs Displayed | 8 |
| Tubs Stored | 6 |

Cooling

| | |
|--------------------------|-------------|
| Temperature Range | (-13) - 0°F |
| Refrigerant | R290 |
| Max. Ambient Temperature | 90°F |
| Defrosting | Manual |
| Temperature Controller | Manual |
| Horsepower | 2/5 |
| BTU | 1091 |

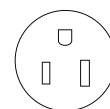
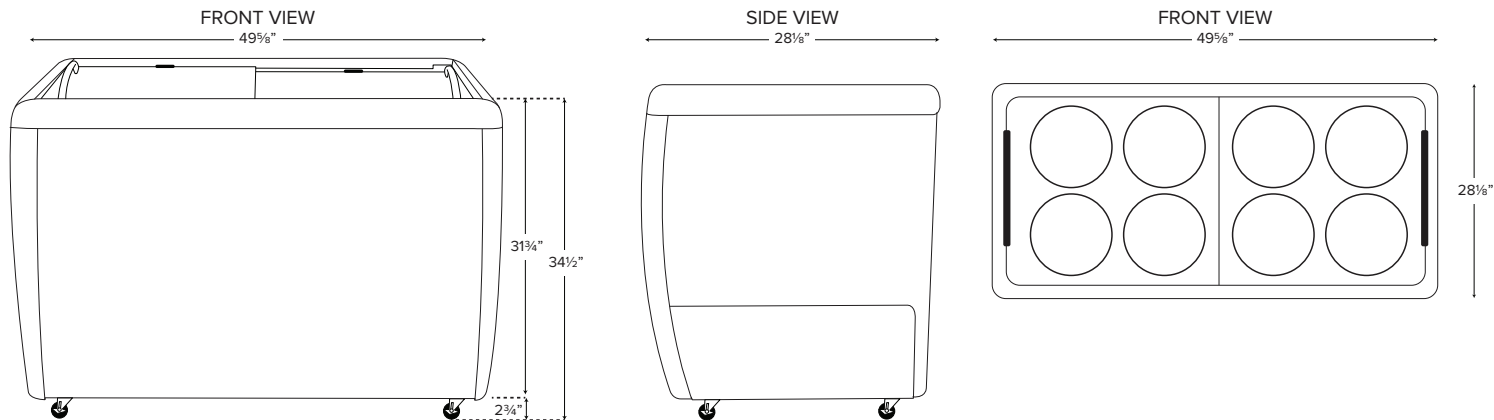
Construction

| | |
|---------------------|------------------------------|
| Exterior Material | Painted Steel |
| Interior Material | Painted Steel |
| Insulation Material | Foamed-In-Place Polyurethane |
| Tub Holder Material | Painted Steel |

Electrical

| | |
|------------------------|------------|
| Voltage | 115 |
| Amps | 4 |
| Hz | 60 |
| Phase | 1 |
| Plug Type | NEMA 5-15P |
| Electrical Cord Length | 70" |

PLAN VIEW



NEMA 5-15P