

ADC Series Ice Cream Dipping Cabinet

REFRIGERATION
AVANTCO

www.AvantcoRefrigeration.com

MODEL #360ADC8FHC

ADC SERIES - DIPPING CABINET WITH FLAT-FRONT SNEEZE GUARD

Great for displaying, merchandising and serving a delicious variety of ice cream flavors.

CABINET CONSTRUCTION

Easily assembled flat glass sneeze guard for product visibility and prevention of contamination. Sturdy design features white powder-coated steel exterior and painted steel interior.

Foamed-in-place CFC- and HCFC-free polyurethane insulation enhances the structural integrity of the cabinet and promotes energy efficiency. Locking glass lid provides constant product visibility to showcase a variety of ice cream flavors.

REFRIGERATION SYSTEM

Environmentally-safe R290 refrigerant. Side-mounted condensing unit for side and rear ventilation. Cold wall design prevents cold air from escaping.

STORAGE

Displays (8) 3-gallon tubs of ice cream at the perfect height for service. Additional storage for (6) 3-gallon tubs underneath.

MODEL FEATURES

Flat glass sneeze guard and contoured cabinet design add modern appearance, perfect for showcasing and serving ice cream. Pre-drilled holes for dipper well installation on back of the cabinet.

2" diameter casters provide mobility for easy cleaning and service. Drain plug located on backside of unit.

SPECIAL FEATURES

- Displays up to 8 ice cream tubs; space beneath display to store up to 6 back-up tubs
- Includes flat-front sneeze guard that ensures visibility and prevents contamination
- Holds temperatures between -13 and 0°F; manual temperature control
- Environmentally-safe R290 refrigerant; manual defrost feature
- Perfect for ice cream shops, dessert bars, and cafeterias
- 115V, 2/5 hp



WARRANTY

RESIDENTIAL: Avantco assumes no liability for parts or labor coverage for component failure, factory defect or any other damages for units installed in non-commercial foodservice or residential applications.



Replacement



ADC Series Ice Cream Dipping Cabinet

MODEL #360ADC8FHC



www.AvantcoRefrigeration.com

TECHNICAL DATA

Dimensions

Exterior Dimensions	49 ⁵ / ₈ "W x 28 ⁵ / ₈ "D x 52 ¹ / ₈ "H
Interior Dimensions	43 ³ / ₄ "W x 24 ¹ / ₄ "D x 26 ¹ / ₈ "H
Net Volume	10.25 cu. ft.
Net Weight	243 lb.
Gross Weight	271 lb.
Packaging Dimensions	52 ¹ / ₂ "W x 30"D x 37 ¹ / ₂ "H + 52 ¹ / ₄ " x 5 ¹ / ₂ " x 23"
Tubs Displayed	8
Tubs Stored	6

Cooling

Temperature Range	(-13) - 0°F
Refrigerant	R290
Max. Ambient Temperature	90°F
Defrosting	Manual
Temperature Controller	Manual
Horsepower	2/5
BTU	1091

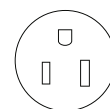
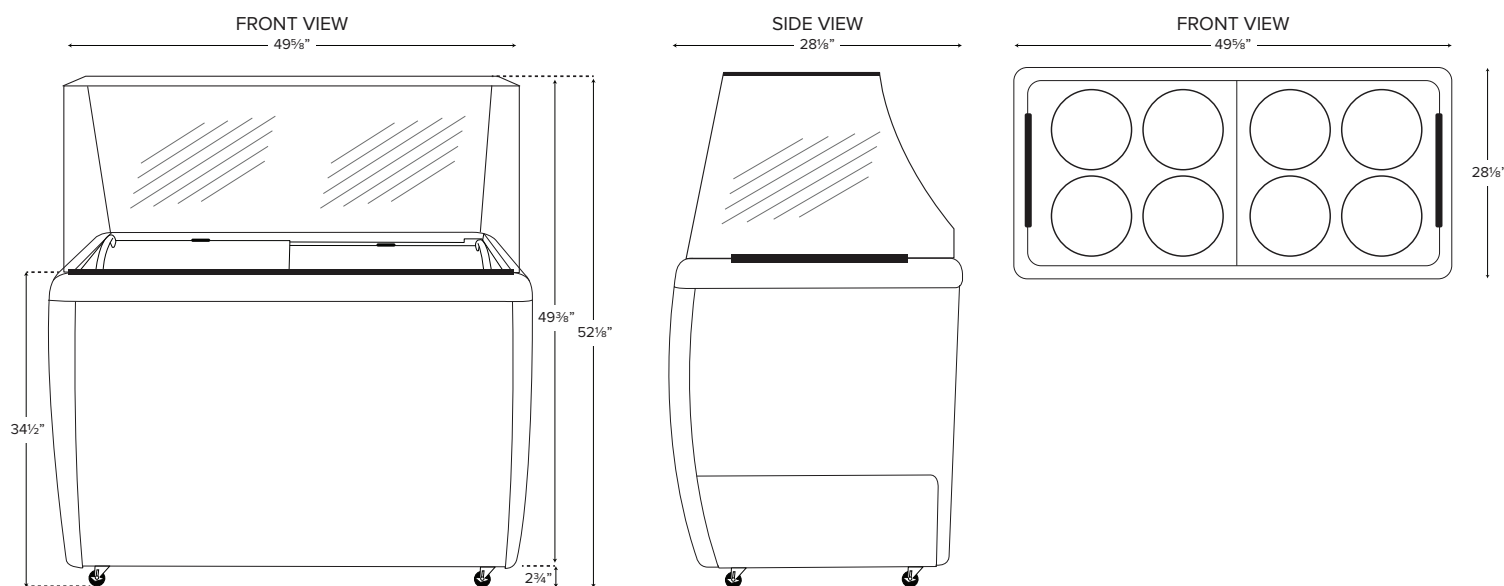
Construction

Exterior Material	Painted Steel
Interior Material	Painted Steel
Insulation Material	Foamed-In-Place Polyurethane
Sneeze Guard Material	Tempered Glass
Tub Holder Material	Painted Steel

Electrical

Voltage	115
Amps	4
Hz	60
Phase	1
Plug Type	NEMA 5-15P
Electrical Cord Length	70"

PLAN VIEW



NEMA 5-15P