

ADC Series Ice Cream Dipping Cabinet

REFRIGERATION
AVANTCO

www.AvantcoRefrigeration.com

MODEL #360ADC4CHC

ADC SERIES - DIPPING CABINET WITH CURVED SNEEZE GUARD

Great for displaying, merchandising and serving a delicious variety of ice cream flavors.

CABINET CONSTRUCTION

Easily assembled curved glass sneeze guard for product visibility and prevention of contamination. Sturdy design features white powder-coated steel exterior and painted steel interior.

Foamed-in-place CFC- and HCFC-free polyurethane insulation enhances the structural integrity of the cabinet and promotes energy efficiency. Locking glass lid provides constant product visibility to showcase a variety of ice cream flavors.

REFRIGERATION SYSTEM

Environmentally-safe R290 refrigerant. Side-mounted condensing unit for side and rear ventilation. Cold wall design prevents cold air from escaping.

STORAGE

Displays (4) 3-gallon tubs of ice cream at the perfect height for service. Additional storage for (2) 3-gallon tubs underneath.

MODEL FEATURES

Curved glass sneeze guard and contoured cabinet design add modern appearance, perfect for showcasing and serving ice cream. Pre-drilled holes for dipper well installation on back of the cabinet.

2" diameter casters provide mobility for easy cleaning and service. Drain plug located on backside of unit.

SPECIAL FEATURES

- Displays up to 4 ice cream tubs; space beneath display to store up to 2 back-up tubs
- Includes curved-front sneeze guard that ensures visibility and prevents contamination
- Holds temperatures between -13 and 0°F; manual temperature control
- Environmentally-safe R290 refrigerant; manual defrost feature
- Perfect for ice cream shops, dessert bars, and cafeterias
- 115V, 1/4 hp



WARRANTY

RESIDENTIAL: Avantco assumes no liability for parts or labor coverage for component failure, factory defect or any other damages for units installed in non-commercial foodservice or residential applications.



Replacement



ADC Series Ice Cream Dipping Cabinet

MODEL #360ADC4CHC



www.AvantcoRefrigeration.com

TECHNICAL DATA

Dimensions

Exterior Dimensions	26 $\frac{1}{8}$ "W x 28 $\frac{1}{8}$ "D x 52 $\frac{1}{8}$ "H
Interior Dimensions	24 $\frac{3}{8}$ "W x 27"D x 20 $\frac{7}{8}$ "H
Net Volume	4.25 cu. ft.
Net Weight	154 lb.
Gross Weight	174 lb.
Packaging Dimensions	26 $\frac{1}{4}$ "W x 30"D x 37 $\frac{1}{2}$ "H + 25 $\frac{3}{4}$ " x 10 $\frac{3}{4}$ " x 27 $\frac{1}{2}$ "
Tubs Displayed	4
Tubs Stored	2

Cooling

Temperature Range	(-13) - 0°F
Refrigerant	R290
Max. Ambient Temperature	90°F
Defrosting	Manual
Temperature Controller	Manual
Horsepower	1/4
BTU	682

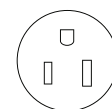
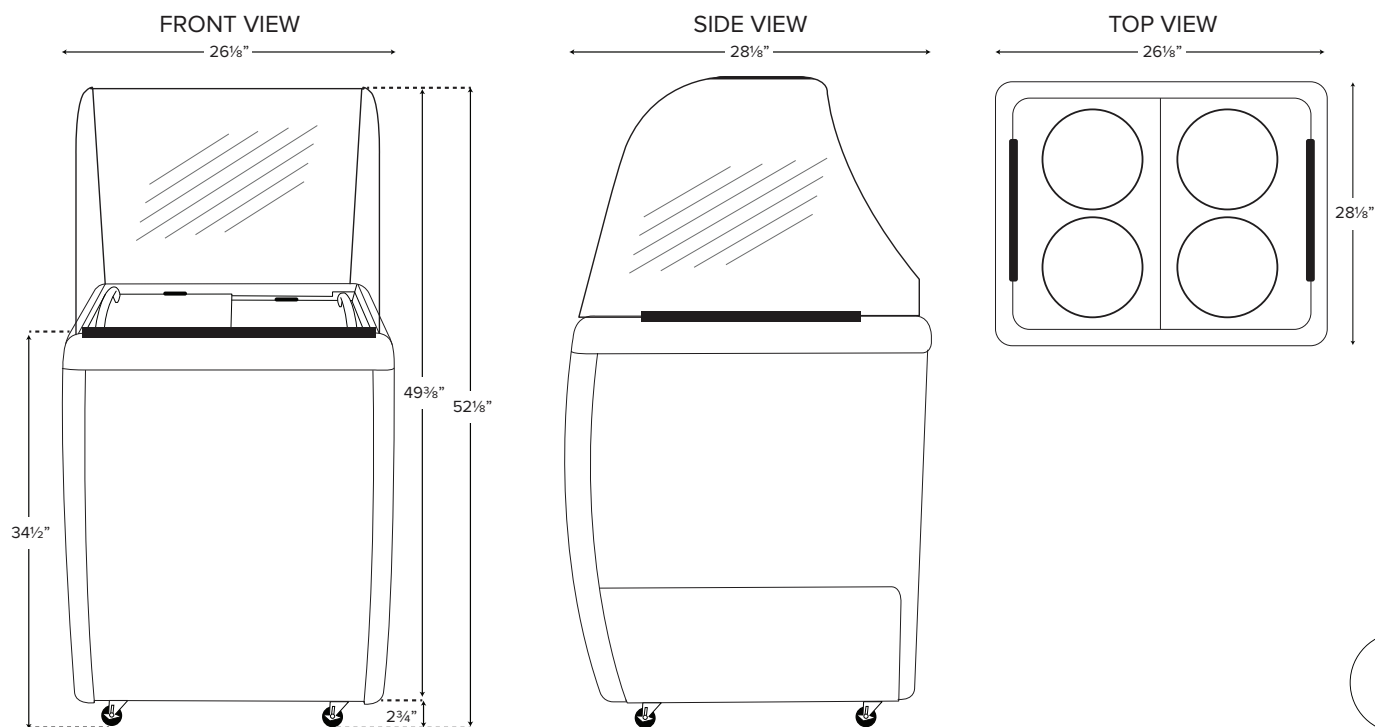
Construction

Exterior Material	Painted Steel
Interior Material	Painted Steel
Insulation Material	Foamed-In-Place Polyurethane
Sneeze Guard Material	Tempered Glass
Tub Holder Material	Painted Steel

Electrical

Voltage	115
Amps	3
Hz	60
Phase	1
Plug Type	NEMA 5-15P
Electrical Cord Length	70"

PLAN VIEW



NEMA 5-15P