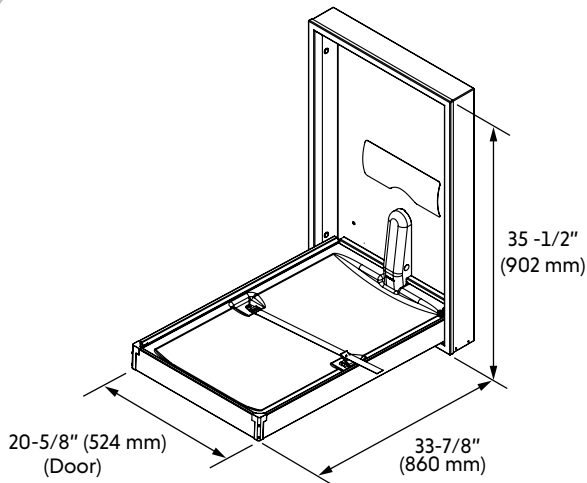
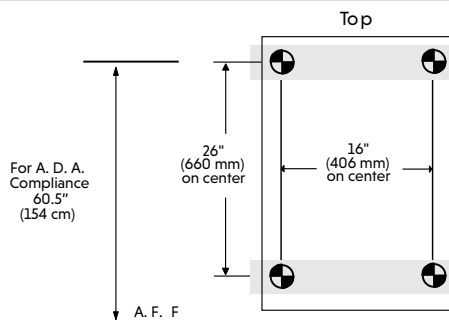


## Model: 35VS0006 (Surface Mount) Summit Vertical Stainless Steel Diaper Changing Station



- Full body 18 gauge, 304 brushed stainless steel.
- ABS replaceable tray liner.
- Smooth nylon belt with Thermoplastic Polyurethane coating. Easy to sanitize and adjustable with one hand.
- Full stainless steel frame and hinges provide maximum durability.
- Easy to read ANSI compliant labels (ANSI Z535.3 and ANSI Z535.4), utilizing universal safety symbols.
- Pneumatic gas shock mechanism to ensure smooth, safe open and close motions.
- Includes universal baby changing station door sign.
- Surface mount requires additional flange. Specify model 35VS0006.
- Limited Warranty: This product is warranted against manufacturing defects for a period of 5 years.

### Recommended Blocking Surface Mount



### Short Specifications

Full 304 brushed stainless steel exterior with vacuum formed polystyrene changing surface.

1. A.D.A. Compliant attached buckle.
2. Acceptable product: The Sova Company™; Model: Summit (35VS0006).
3. Characteristics:
  - a. Entire body 18 gauge, 304 brushed stainless steel, seamless welds.
  - b. Provide The Sova Company, 01HSF206 in order to surface mount unit.
  - c. Provide The Sova Company, 95XR0006; stainless steel liner dispenser.
4. Equipped with a pneumatic cylinder.
5. Smooth nylon belt with Thermoplastic Polyurethane coating. Easy to sanitize and adjustable with one hand.
6. Meets ASTM F2285 requirements for weight bearing Commercial Changing Stations.
7. A.D.A. Compliance:
  - 306.3 Knee clearance.
  - 307.2 Maximum protruding objects.
  - 308.2 Forward reach.
  - 308.3 Side reach.
  - 309.4 Operation.
  - 902.3 Work surface.



8. ANSI compliant safety labels.
9. CPSIA compliant to applicable sections.

### Installation Information

- Unit projects 4 inches (100 mm) when surface mounted via model 35VS0006.
- Open unit project from wall 33.875 inches (860 mm) when surface mounted.