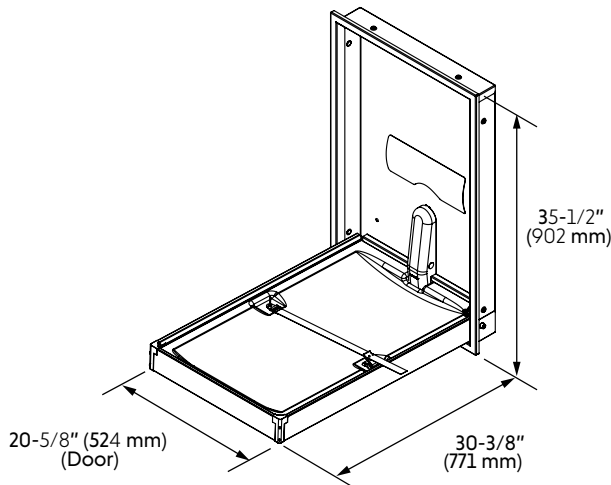


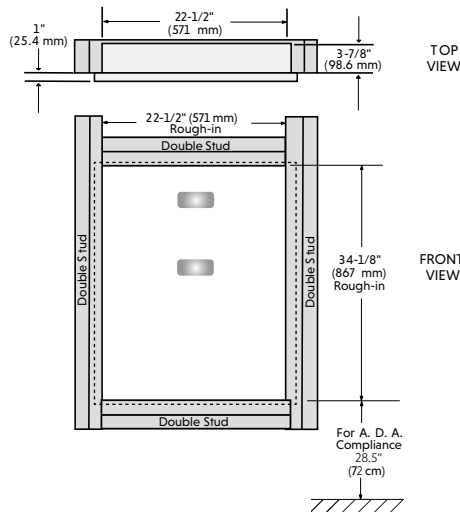
Submittal Sheet

Model: 35VR0006 Summit Vertical Stainless Steel Diaper Changing Station



- Full body 18 gauge, 304 brushed stainless steel.
- ABS replaceable tray liner.
- Full stainless steel frame and hinges provide maximum durability.
- Easy to read ANSI compliant labels (ANSI Z535.3 and ANSI Z535.4), utilizing universal safety symbols.
- Pneumatic gas shock mechanism to ensure smooth, safe open and close motions.
- Includes universal baby changing station door sign.
- Limited Warranty: This product is warranted against manufacturing defects for a period of 5 years.

Recommended Blocking Recessed Mount



Short Specifications

Full 304 brushed stainless steel exterior with vacuum formed ABS changing surface.

1. A.D.A Compliant attached buckle.
2. Acceptable product: The Sova Company™; Model: Summit (35VR0006).
3. Characteristics:
 - a. Entire body 18 gauge, 304 brushed stainless steel, seamless welds.
 - b. Provide The Sova Company, 01HSF206 in order to surface mount unit.
 - c. Provide The Sova Company, 95XR0006; stainless steel liner dispenser.
4. Equipped with a pneumatic cylinder.
5. Smooth nylon belt with Thermoplastic Polyurethane coating. Easy to sanitize and adjustable with one hand.
6. Meets ASTM F2285 requirements for weight bearing Commercial Changing Stations.
7. A.D.A. Compliance:
 - 306.3 Knee clearance.
 - 307.2 Maximum protruding objects.
 - 308.2 Forward reach.
 - 308.3 Side reach.
 - 309.4 Operation.
 - 902.3 Work surface.
8. ANSI compliant safety labels.
9. CPSIA compliant to applicable sections.

Installation Information

- 3.88 inches (98 mm) recessed into wall, 1 inch (25 mm) protrusion from wall.
- Rough-in opening 34.125 inches (867 mm) wide x 22.50 (571 mm) high. Shim as required for tight fit on all 4 sides. Use side mounting holes.
- Open unit project from wall 30.375 inches (771 mm).