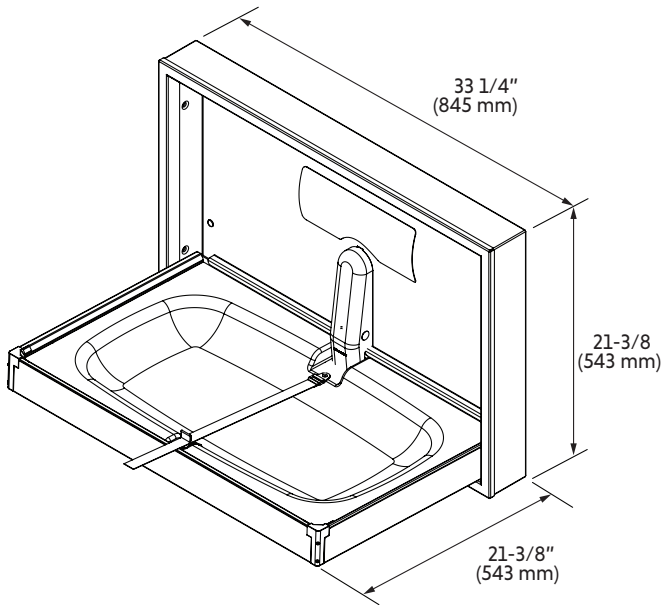




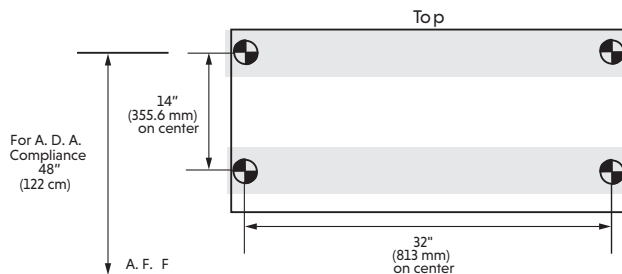
Submittal Sheet

Model: 35HS0006 (Surface Mount) Summit Horizontal Stainless Steel Diaper Changing Station



- Full body 18 gauge, 304 brushed stainless steel.
- ABS replaceable tray liner.
- Smooth nylon belt with Thermoplastic Polyurethane coating. Easy to sanitize and adjustable with one hand.
- Full stainless steel frame and hinges provide maximum durability.
- Easy to read ANSI compliant labels (ANSI Z535.3 and ANSI Z535.4), utilizing universal safety symbols.
- Pneumatic gas shock mechanism to ensure smooth, safe open and close motions.
- Universal changing baby station plaque on front of unit.
- Surface mount requires additional flange. Specify model 35HS0006.
- Limited Warranty: This product is warranted against manufacturing defects for a period of 5 years.

Recommended Blocking Surface Mount



Short Specifications

Full 304 brushed stainless steel exterior with vacuum formed ABS changing surface.

1. A.D.A. Compliant attached buckle.
2. Acceptable product: The Sova Company™; Model: Summit (35HS0006).
3. Characteristics:
 - a. Entire body 18 gauge, 304 brushed stainless steel, seamless welds.
 - b. Provide The Sova Company, 95XR0006; stainless steel liner dispenser.
4. Equipped with a pneumatic cylinder.
5. Smooth nylon belt with Thermoplastic Polyurethane coating. Easy to sanitize and adjustable with one hand.
6. Meets ASTM F2285 requirements for weight bearing Commercial Changing Stations.
7. A.D.A. Compliance:

306.3	Knee Clearance
307.2	Maximum Protruding Objects
308.2	Forward Reach
308.3	Side Reach
309.4	Operation
902.3	Work Surface

Compliant when properly installed.
8. ANSI compliant safety labels.
9. CPSIA compliant to applicable sections.



Installation Information

- Unit projects 4 inches (100 mm)
- Open unit project from wall 21.375 inches (543 mm) when surface mounted.