



## SRO1G

### SIGNATURE RACK OVEN

The Doyon rack oven is simply your best buy for high volume production. This oven is made of stainless steel inside and outside for easy cleaning and durability. It comes standard with a digital programmable control which features a high volume manual shot and constant pulse steam injection system. Doyon's SRO series have standard suspended type racks (easy maintenance and cleaning), stainless steel floor, front mounted panel for service and maintenance, space saving units. This oven is shipped in one piece or knock down.

#### VERSATILITY

Bread, Rolls, Buns, Pastries, Cookies, Muffins, Pies, Cakes, Bagels, Croissants, Sours and Ryes, Pizza.



#### STANDARD FEATURES

- Heavy duty stainless steel construction for longer life
- High efficiency, quick temperature recovery
- High production steam system
- Shot or pulse steam injection
- Four air channels to achieve a perfect bake
- Variable air speed with adjustable airflow
- Advanced programmable oven control
  - 8 stage baking
  - Auto ON/OFF Control
  - Cool-down mode
  - 99 programmable menus
- Energy saving mode
- Accommodates one single rack
- Flush stainless steel floor for easy rack loading, no ramp required
- Field reversible door
- Insulated with 5" thick high temp. insulation
- Heavy-Duty rotating and lifting system with capacity of 1500 lbs.
- Self adjusting slip clutch prevents oven/rack damage
- Standard Type II hood
- Weldless Heat Exchanger Construction
- Built-in rollers and levelers for easy installation
- Ships knock down standard
- 2 year parts 1 year labor limited warranty

*Experience our top-of-the-line ovens today!*



5600 13th Street • Menominee, MI 49858 USA  
 Phone: 906-863-4401 E-mail: sales@nu-vu.com  
 Toll Free: 1-800-338-9886 www.doyon.qc.ca  
 Fax: 906-863-5889 www.nu-vu.com

## OVERALL DIMENSIONS

SRO1G 55"W X 51"D X 100-7/8" H  
(1397 mm X 1295 mm X 2590 mm)

## GAS SYSTEM (Propane or natural)

BTU total: 175,000

Gas inlet: 3/4" NPT

Recommended gas pressure:

Propane gas : 11-14" W.C.

Natural gas : 5-10" W.C.

## ELECTRICAL SYSTEM (2 supplies are required)

Supply 1 for vent hood

120V - 15 A - 60 Hz dedicated circuit

Supply 2 for oven

1 Phase:

208-240V - 12 A - 4 kW - 60 Hz - 3 wires + Ground

3 Phases:

208-240V - 10 A - 4 kW - 60 Hz - 4 wires + Ground

480V - 5 A - 4 kW - 60 Hz - 4 wires + Ground

## WATER INLET: 1/2" NPT

## DRAIN: 3/4" NPT (located on the front and the back)

A water softener system with a minimum flow rate of 4 gpm is highly recommended.

Minimum clearance from combustible material

0" (0 mm) side and back

0" (0 mm) on non combustible floor

18" (305 mm) top

**FINISH:** Stainless steel

**SHIPPING WEIGHT:** 3000 lb (1360 kg) approximately

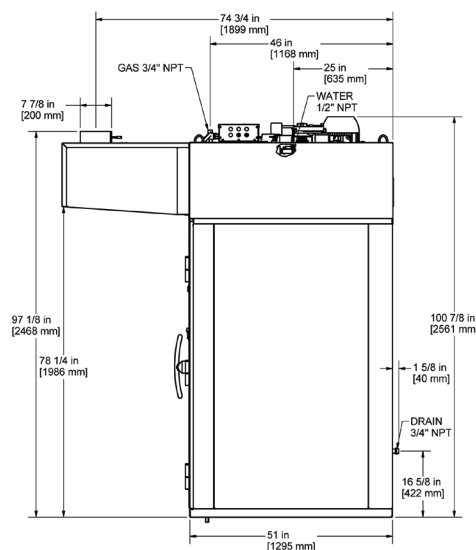
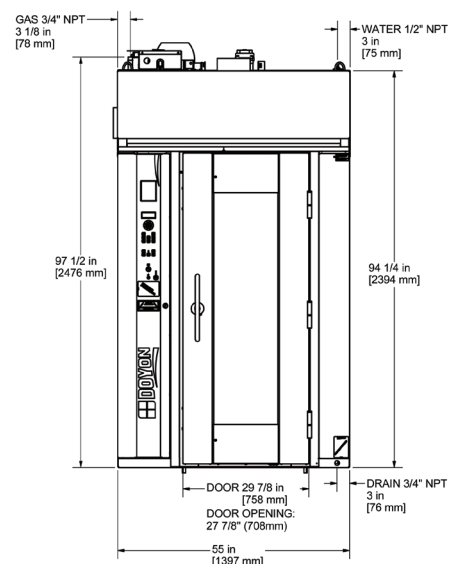
## INSTALLATION

Unit must be on a level floor. Not approved for installation on combustible floor surfaces. Certified for zero clearance to combustible surface sides and back. Drain connection located in the back and front of the unit, choose the one that best fits your needs. Floor must be bolted under the door only. Electrical, water and gas system connections located on the front top of the unit.

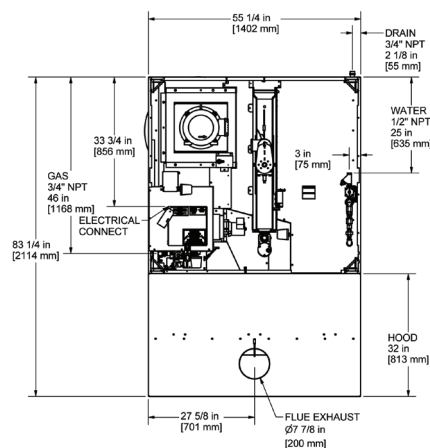
## VENT HOOD

8" diameter connection collar. Minimum 900 cfm required with 0.6" w.c. static pressure drop through hood. Customer to supply duct and ventilator fan per local code. Airflow proving switch is factory installed and integrated with burner system operation. Oven provided with relay contact maximum 10 amp 1/2 HP 120V output for fan operation. Ventilator fan is required. Consult local authorities to determine whether Type 1 (grease) or Type 2 (vapor) duct will be required. Hood connection suitable for connection to type B vent, except when products emit grease laden vapors.

Specifications and design are subject to change without notice.



Height required to lift the oven from its back uncreated, without hood: 108" minimum.



5600 13th Street • Menominee, MI 49858 USA  
 Phone: 906-863-4401 E-mail: sales@nu-vu.com  
 Toll Free: 1-800-338-9886 www.doyon.qc.ca  
 Fax: 906-863-5889 www.nu-vu.com