

APPLICATION:

JOB NAME:

QUANTITY: _____ **ITEM NO.:** _____

PRODUCT NAME:
PRE-RINSE SPRG SINGLE DECK DUAL CTL WITH WALL BRACKET & ADD-ON FAUCET

SPECIAL CONFIGURATION
 CHECK BASE MODEL AND OPTIONS

MODEL:

34169 WITH 6" SWING SPOUT

34177 WITH 8" SWING SPOUT

34185 WITH 10" SWING SPOUT

34193 WITH 12" SWING SPOUT

34207 WITH 14" SWING SPOUT

34215 WITH 16" SWING SPOUT

OPTIONS OR MODIFICATIONS:

SUPPLY LINES (24" OR 36") CIRCLE LENGTH

BACKFLOW PREVENTER

BRUSH

VANDAL RESISTANT KIT

HANDLES (CROSS OR WRIST) CIRCLE STYLE

OTHER _____

FEATURES:

MAIN CONTROL VALVE:

- * SINGLE DECK, DUAL CONTROL
- * INTERNAL SPRING LOADED CHECK VALVES
- * SWIVELING SEAT DISKS
- * HOT SIDE STEM - RIGHT HAND CHECK
- * COLD SIDE STEM - LEFT HAND CHECK
- * STAINLESS STEEL SEATS, SEAT SCREWS AND HANDLE SCREWS

ADD-ON CONTROL VALVE

- * STEM - RIGHT HAND SWIVEL
- * HOT INDEX BUTTON
- * SWIVELING SEAT DISKS
- * STAINLESS STEEL SEATS, SEAT SCREWS AND HANDLE SCREWS.

HOSE

- * 36" LENGTH
- * STAINLESS STEEL END FITTINGS
- * STAINLESS STEEL EXTERNAL JACKET
- * 3-PLY FIBER REINFORCED INTERNAL RUBBER HOSE
- * REPAIRABLE IN FIELD WITH SIMPLE TOOLS

ULTRA SPRAY VALVE

- * LOWEST ENERGY USER - 1.15 GPM @ 60 PSI
- * CLEANS FASTER - TEST PROVEN
- * ENGINEERED TO LAST - NO 'O' RINGS TO LEAK
- * INTERCHANGEABLE - FITS ALL BRANDS

WALL BRACKET

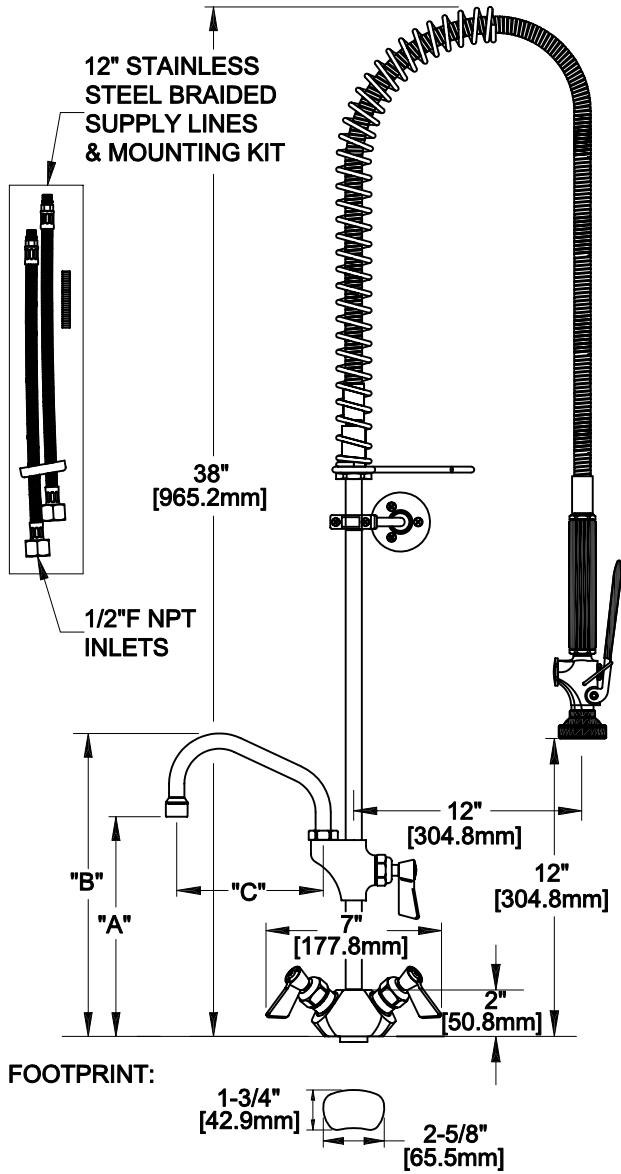
- * ADJUSTS FROM 2" TO 12"

SYSTEM LIMITS

- * TEMP: 40°F MIN. TO 140°F MAX. STATIC
- * PRESSURE 200 PSI MAX. STATIC

SHIPPING WEIGHT:

- * 15.0 LBS



ROUGH-IN	MODEL	DIM "A"	DIM "B"	DIM "C"
$\varnothing 1\text{-}1/4"$ [31.8mm]	34169	8-3/4" [221.3mm]	12-3/8" [313.3mm]	6" [152.4mm]
	34177	9" [227.6mm]	12-7/8" [326.0mm]	8" [203.2mm]
	34185	9-5/8" [243.5mm]	13-3/8" [340.3mm]	10" [254.0mm]
	34193	10-1/4" [259.4mm]	13-7/8" [351.4mm]	12" [304.8mm]
	34207	10-7/8" [275.2mm]	14-3/4" [373.7mm]	14" [355.6mm]
	34215	11-5/8" [294.3mm]	15-3/8" [389.5mm]	16" [406.4mm]