

APPLICATION:

JOB NAME:

QUANTITY: ITEM NO.

PRODUCT NAME:
SINGLE DECK FAUCET WITH SWIVEL GOOSENECK SPOUT

_____ SPECIAL CONFIGURATION
 CHECK BASE MODEL AND OPTIONS

MODEL:

3015 WITH 12" SWIVEL GOOSENECK SPOUT

1856 WITH 6" SWIVEL GOOSENECK SPOUT

OPTIONS OR MODIFICATIONS:

SUPPLY LINES (24" OR 36") CIRCLE LENGTH

VANDAL RESISTANT KIT

HANDLES (CROSS OR WRIST) CIRCLE STYLE

OTHER _____

FEATURES

CONTROL VALVE

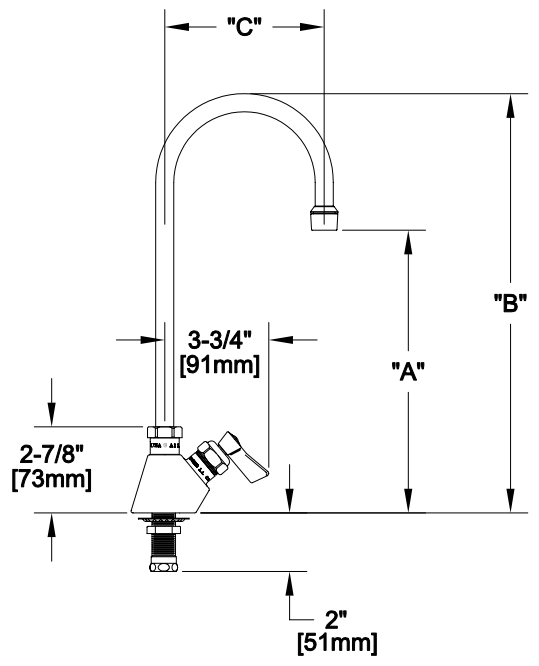
- * SINGLE DECK MOUNT
- * SWIVELLING SEAT DISK
- * STEM - LEFT HAND
- * STAINLESS STEEL SEAT
- * STAINLESS STEEL SEAT SCREW
- * STAINLESS STEEL HANDLE SCREW
- * HOT AND COLD INDEX BUTTONS

SYSTEM LIMITS

- * TEMP: 40°F MIN. TO 140°F MAX.
- * PRESSURE: 200 PSI MAX. STATIC
- * 2.2 GPM AT 60 PSI

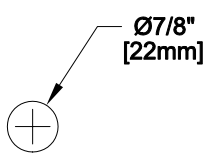
SHIPPING WEIGHT

- * 3.25 LBS



MODEL	DIM "A"	DIM "B"	DIM "C"
3015	9-1/8" [232mm]	13" [330mm]	5-1/2" [140mm]
1856	5-1/8" [130mm]	8-5/8" [219mm]	3-1/2" [89mm]

ROUGH-IN:



FISHER
 FISHER MANUFACTURING COMPANY
 TOLL FREE: 800-421-6162 - FAX: 800-832-8238
 information@fisher-mfg.com - www.fisher-mfg.com