

Water filter systems

carbon and carbonless



Features

Three systems to choose

- standard-capacity carbon – 5,000 gal (18,927 l)
- high-capacity carbon – 17,500 gal (66,245 l)
- carbonless – capacity based on water conditions

All systems include pre-filter, primary filter, pressure gauge and wall mounting bracket

All filter cartridges compatible with Follett FL4S systems

Carbon filters

- includes silver-based antimicrobial product protection of key water contact components¹
- multi-level filtration to reduce chlorine, off-tastes, odors and cysts
- traps 99.9% of all particles 0.5 micron and larger in size

Cleaner ice and water with all filters

- reduces microplastics at low pressure drops across the filter
- advanced filtration system filters out parasitic cysts
- NSF/ANSI Standard 53 certified to reduce cysts such as Cryptosporidium and Giardia by mechanical means²

Improve ice machine performance

- dramatically reduces the most common water-related ice machine problems to keep ice machines functioning at full capacity
- reduces scale build up from dirt and minerals in the water
- removes dirt and abrasive particles that can damage ice machine
- saves energy and reduces downtime and service costs

Space-saving design

- all systems can be mounted in areas as small as 16.00" (40.6 cm) wide by 21.00" (53.3 cm) high or out of the way below standard 34.00" - 36.00" (86.4 cm - 91.4 cm) counters

Pre-filter system saves money

- economical pre-filter filters out large particles and extends life of primary filter

Water filter system description	Filtration capacity gal (l)	Item number	Filter cartridge number
Carbon standard-capacity for Maestro Plus™ ice machines and Symphony Plus™ ice and water dispensers	5,000 (18,927)	CARBONSTDCAPSYSTEM	CARBONSTDCAPFILTER
Carbon high-capacity for use with Horizon Elite™ and Maestro Plus ice machines and Symphony Plus ice and water dispensers	17,500 (66,245)	CARBONHICAPSYSTEM	CARBONHICAPFILTER
Carbonless high-capacity for use with Horizon Elite and Maestro Plus ice machines and Symphony Plus ice and water dispensers	Based on water conditions	CARBONLESSHICAPSYS	CARBONLESSHICAPFILT

Replacement cartridge description	Filter system	Unit	Item number
Primary filter, standard capacity	Carbon	Carton of 6	CARBONSTDCAPFILTER6
		Single	CARBONSTDCAPFILTER
Primary filter, high-capacity	Carbon	Carton of 6	CARBONHICAPFILTER6
		Single	CARBONHICAPFILTER
Primary filter, high-capacity	Carbonless	Carton of 6	CARBONLESSHICAPFILT6
		Single	CARBONLESSHICAPFILT
Pre-filter	Carbon and Carbonless	Carton of 12	SEDIMENTPREFILTER12
		Single	SEDIMENTPREFILTER

Specification

W1 Width	14.50" (36.8 cm)
Depth	4.90" (12.45 cm)
H1 Height (includes top of gauge)	18.75" (47.6 cm)
Service clearance	2.50" (6.35 cm) at bottom for cartridge removal
C1 Water inlet	3/4" FNPT (3/8" reducer bushing included with system)
C2 Water outlet	3/8" FNPT
C3 Pre-filter	5 micron capable
C4 Primary filter	0.5 micron capable
C5 Flushing valve	
Capacity	Carbon Standard – 5,000 gal (18,927 l) High-capacity – 17,500 gal (66,245 l) Carbonless Based on water conditions
Flow rate	Carbon Standard – 1.67 gpm (6.32 lpm) High-capacity – 2.0 gpm (7.57 lpm) Carbonless 2.0 gpm (7.57 lpm)
Water temperature	35 - 100 F (2 - 38 C)
Water pressure	10 - 100 psi (0.7-6.9 bar), non-shock
Certifications	Systems tested and certified by NSF International against NSF/ANSI Standard 42 for the reduction of Chlorine, Taste and Odor and Nominal Particulate Class I, Standard 53 for Cyst, and Standard 401 for Microplastics
Approximate ship weight for filter system	8 lb (3.6 kg)

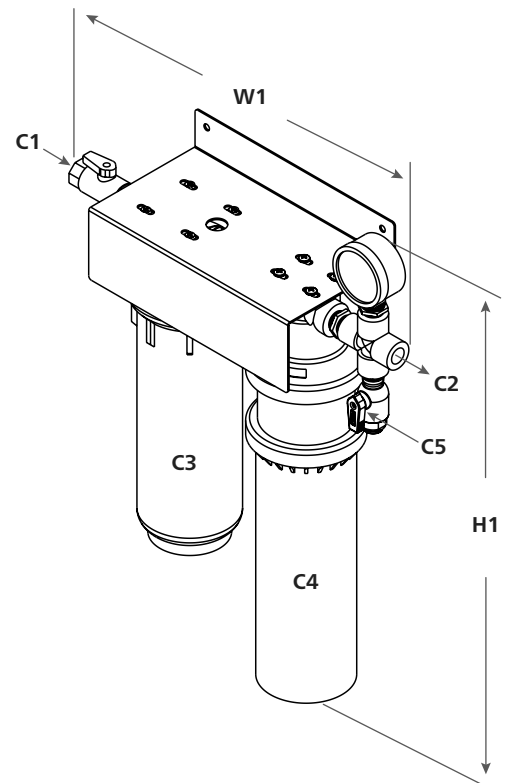
NOTE: For indoor use only. Install in cold water applications. Check for compliance with state and local laws and regulations.



System tested and certified by NSF International against NSF/ANSI **Standard 42** for the reduction of Chlorine, Taste and Odor and Nominal Particulate Class I, **Standard 53** for Cyst, and **Standard 401** for Microplastics.

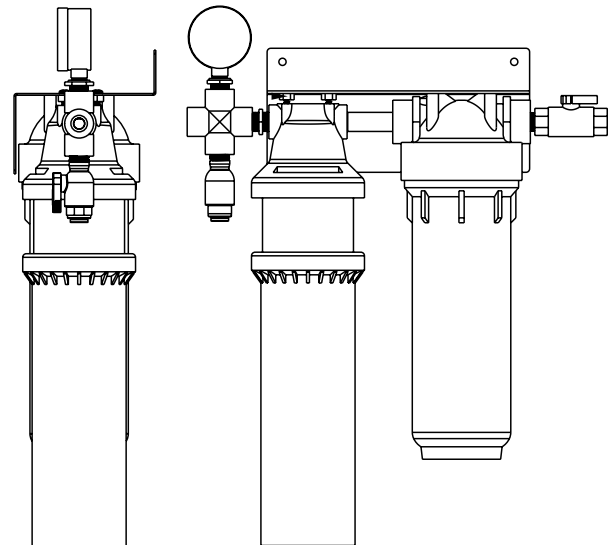
Water filter systems

Dimensional drawing



Right Side View

Back View



Manufactured for Follett by Omnipure. Omnipure EPA Est. No. 002623-IL-002.

¹ Disclaimer: Antimicrobial protection is limited to the treated components and does not treat water.

² Do not use with water that is microbiologically unsafe or of unknown quality without adequate disinfection before or after the unit.

HORIZON ELITE, MAESTRO PLUS, and SYMPHONY PLUS are trademarks of Follett Products, LLC.

FOLLETT is a registered trademark of Follett Products, LLC, registered in the US. Follett reserves the right to change specifications at any time without obligation. Certifications may vary depending on country of origin.