



PROJECT: \_\_\_\_\_

MODEL: \_\_\_\_\_ SERIAL#: \_\_\_\_\_

ITEM #: \_\_\_\_\_ QUANTITY: \_\_\_\_\_

APPROVAL: \_\_\_\_\_ DATE: \_\_\_\_\_

# Ice Storage Bin 30" Wide

## MODELS #194BIN54030

Always have plenty of ice on demand in bars, restaurants, or concession stands.

### FEATURES

- Includes Sanitary Ice Scoop with interior scoop holder for convenient scoop storage.
- Easily removable baffle, no tools required for cleaning.
- Spring loaded door with hidden hinges for easy opening and closing
- Recessed drain fitting for maximum installation flexibility

### STORAGE CAPACITY

- Stores up to 536 lb. of ice so it is ready to be served or bagged for stock.

### BIN EXTERIOR

- Type 304 stainless steel provides better corrosion resistance and is easy to clean

### BIN INTERIOR

- Polyethylene liner for increased sanitation and scratch resistance.
- Colored blue for better ice visibility.

### COMPATIBLE ICE MODULARS

**194MC50030HA**  
30" Half Cube - 500 lb.

**194MC50030FA**  
30" Full Cube - 497 lb.



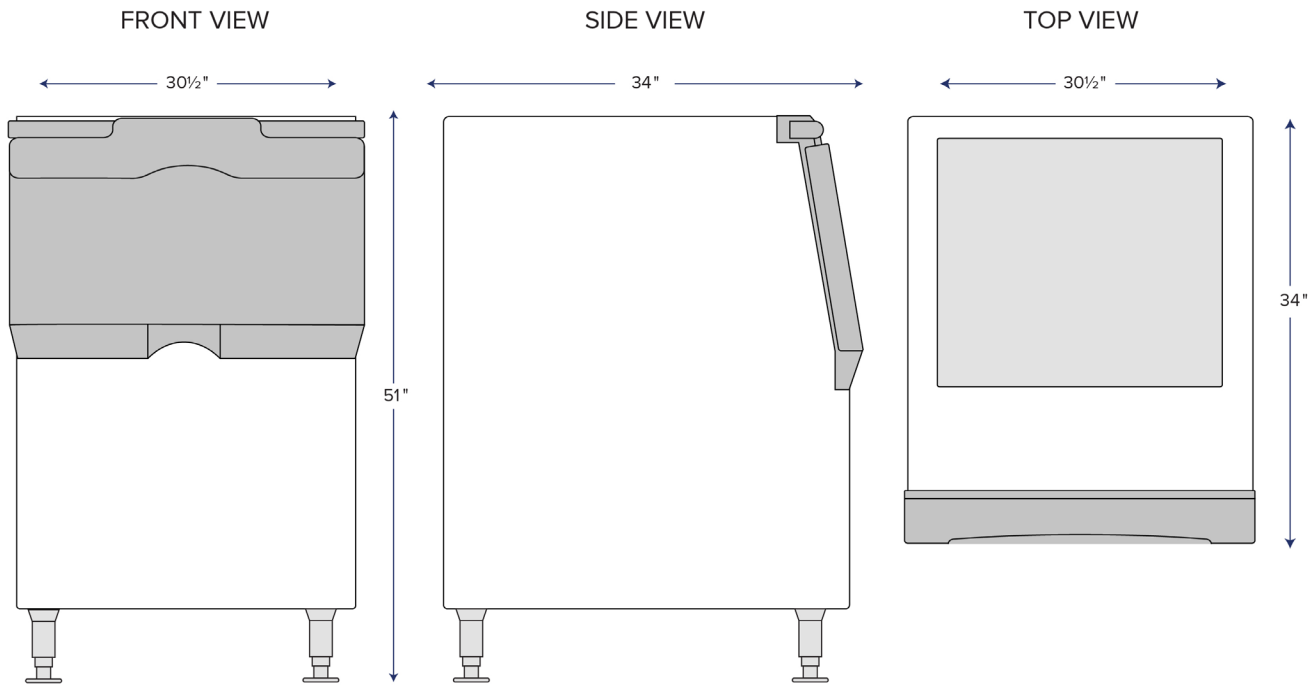
### WARRANTY

RESIDENTIAL: Avantco assumes no liability for parts or labor coverage for component failure, factory defect or any other damages for units installed in non-commercial foodservice or residential applications.



★ Conforms to UL & NSF-7 Standards

### PLAN VIEW



### TECHNICAL DATA

#### Dimensions

Unit Dimensions	30.5"W x 34"D x 51"H
Net Weight	536 lb.
Gross Weight	111 lb.
Packaging Dimensions	33.5"W x 35.1"D x 41.6"H