



PROJECT: \_\_\_\_\_

MODEL: \_\_\_\_\_ SERIAL#: \_\_\_\_\_

ITEM #: \_\_\_\_\_ QUANTITY: \_\_\_\_\_

APPROVAL: \_\_\_\_\_ DATE: \_\_\_\_\_

# Ice Storage Bin 22" Wide

## MODELS #194BIN40022

Always have plenty of ice on demand in bars, restaurants, or concession stands.

### FEATURES

- Includes Sanitary Ice Scoop with interior scoop holder for convenient scoop storage.
- Easily removable baffle, no tools required for cleaning.
- Spring loaded door with hidden hinges for easy opening and closing
- Recessed drain fitting for maximum installation flexibility.

### STORAGE CAPACITY

- Stores up to 370 lb. of ice so it is ready to be served or bagged for stock.

### BIN EXTERIOR

- Type 304 stainless steel provides better corrosion resistance and is easy to clean

### BIN INTERIOR

- Polyethylene liner for increased sanitation and scratch resistance.
- Colored blue for better ice visibility.

### COMPATIBLE ICE MODULARS

**194MC35022HA**  
22" Half Cube - 350 lb.

**194MC35022FA**  
22" Full Cube - 344 lb.

**194MC42022HA**  
22" Half Cube - 420 lb.

**194MC42022FA**  
22" Full Cube - 399 lb.



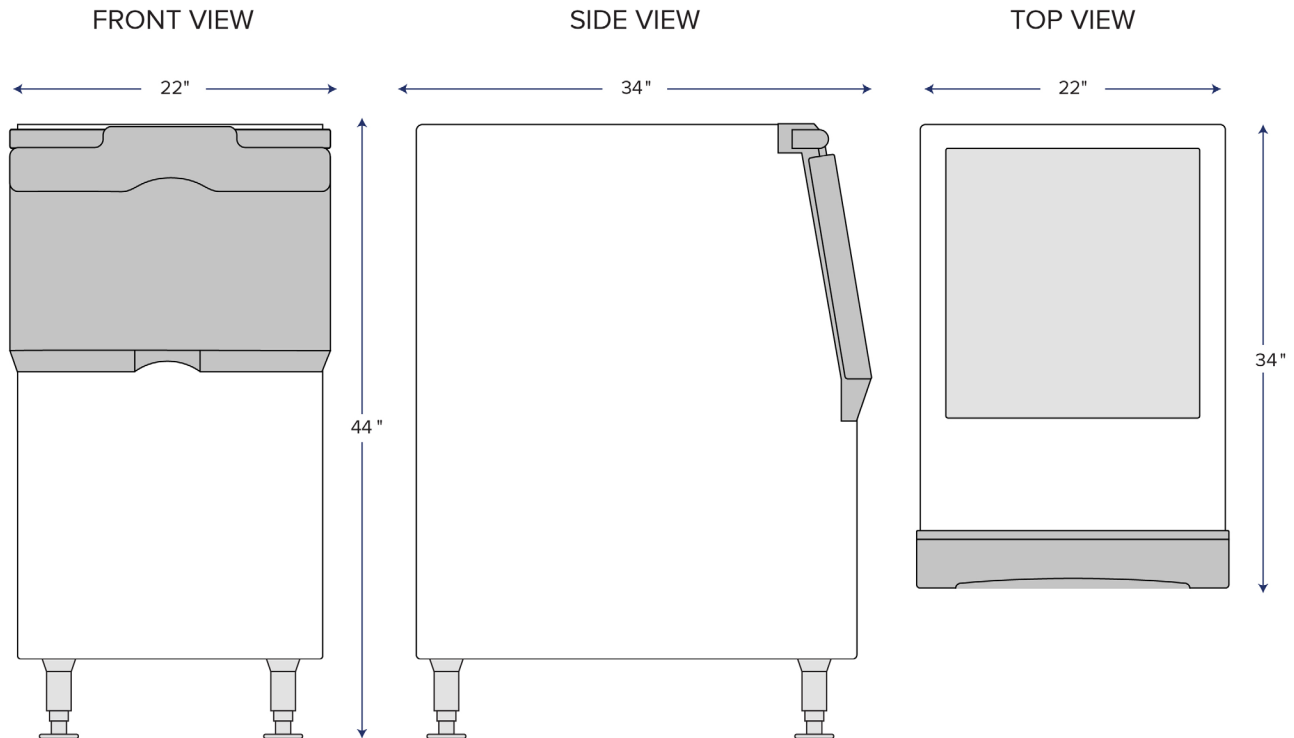
### WARRANTY

RESIDENTIAL: Avantco assumes no liability for parts or labor coverage for component failure, factory defect or any other damages for units installed in non-commercial foodservice or residential applications.



★ Conforms to UL & NSF-7 Standards

### PLAN VIEW



### TECHNICAL DATA

#### Dimensions

Unit Dimensions	22"W x 34"D x 44"H
Net Weight	140 lb.
Gross Weight	89 lb.
Packaging Dimensions	26"W x 36"D x 49"H