



PROJECT: _____

MODEL: _____ SERIAL#: _____

ITEM #: _____ QUANTITY: _____

APPROVAL: _____ DATE: _____

Ice Storage Bin 22" Wide

MODELS #194BIN23022

Always have plenty of ice on demand in bars, restaurants, or concession stands.

FEATURES

- Includes sanitary ice scoop with interior hook for convenient scoop storage.
- Easy access flip-up door stays open when it is pulled all the way back, so it does not need held while scooping.
- Four adjustable legs accommodate uneven floors or to raise or lower its working height.

STORAGE CAPACITY

- Stores up to 275 lb. of ice so it is ready to be served or bagged for stock.

BIN EXTERIOR

- Type 304 stainless steel provides better corrosion resistance and is easy to clean

BIN INTERIOR

- Polyethylene liner for increased sanitation and scratch resistance.
- Colored blue for better ice visibility.



COMPATIBLE ICE MODULARS

- 194MC35022HA**
22" Half Cube - 350 lb.
- 194MC35022FA**
22" Full Cube - 344 lb.
- 194MC42022HA**
22" Half Cube - 420 lb.
- 194MC42022FA**
22" Full Cube - 399 lb.



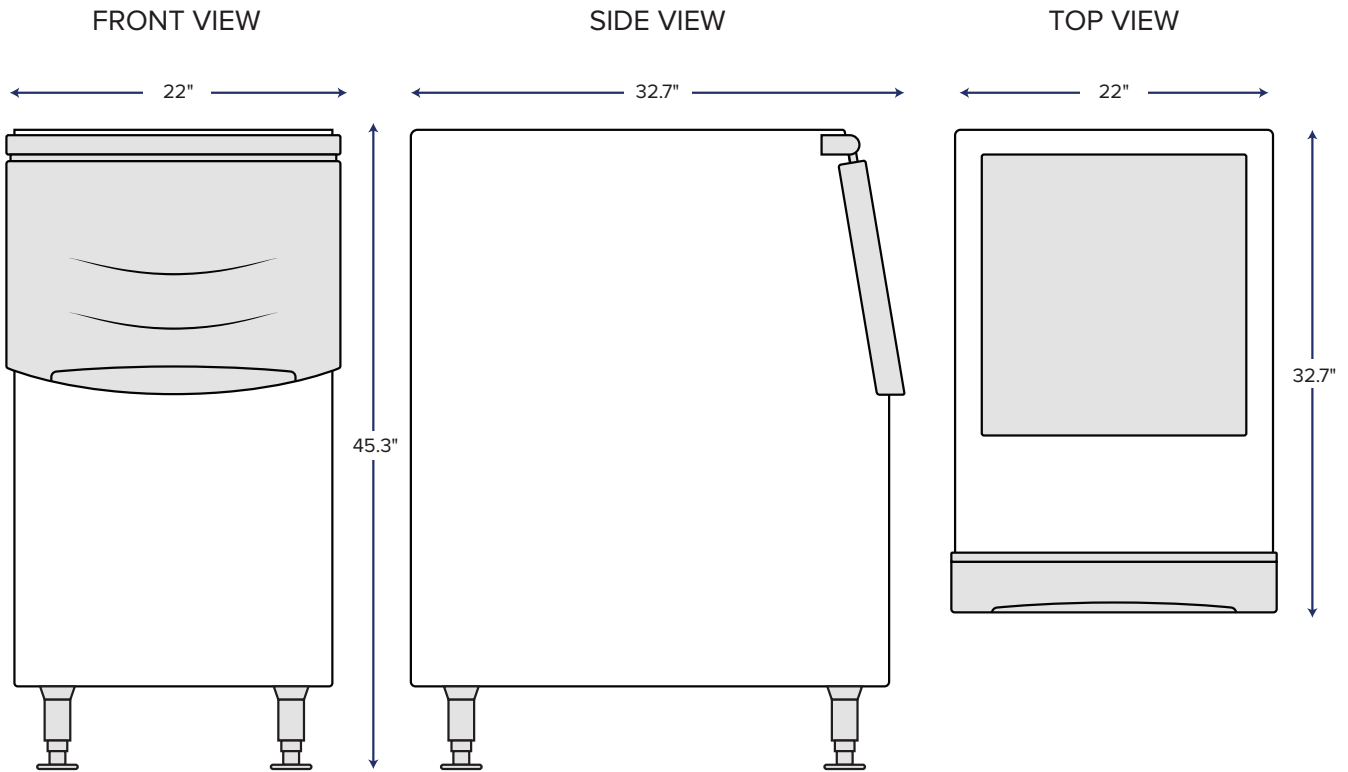
WARRANTY

RESIDENTIAL: Avantco assumes no liability for parts or labor coverage for component failure, factory defect or any other damages for units installed in non-commercial foodservice or residential applications.



★ Conforms to UL & NSF-7 Standards

PLAN VIEW



TECHNICAL DATA

Dimensions

| | |
|----------------------|--------------------------|
| Unit Dimensions | 22"W x 32.7"D x 45.3"H |
| Net Weight | 78 lb. |
| Gross Weight | 89 lb. |
| Packaging Dimensions | 25.4"W x 35.1"D x 41.6"H |