



PROJECT: \_\_\_\_\_

MODEL: \_\_\_\_\_ SERIAL#: \_\_\_\_\_

ITEM #: \_\_\_\_\_ QUANTITY: \_\_\_\_\_

APPROVAL: \_\_\_\_\_ DATE: \_\_\_\_\_

# BC Series

## Curved Glass Dry Bakery Case

**MODEL #193BCD72B**

**BCD SERIES - BLACK**

For showcasing non-refrigerated baked goods at maximum visibility.

**CABINET CONSTRUCTION**

Black painted steel exterior with 4-sided, double-glass display area to showcase product.  
 LED lighted interior saves energy by producing minimal heat and maximizes product visibility.  
 2 removable, sliding doors in rear for service.

**SHELVING**

2 adjustable, tempered glass shelves with LED lighting.  
 Bottom shelf is deeper than top for maximum visibility. Each shelf holds up to 55 lb. of weight.

**MODEL FEATURES**

Non-refrigerated to prolong the shelf life of baked goods.  
 Casters for easy mobility and cleaning.

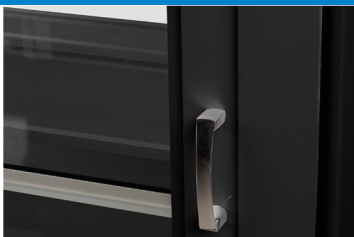
**SPECIAL FEATURES**

- Dry design prolongs shelf life of baked goods
- 2 tempered glass shelves accommodate up to 55 lb. each
- Each shelf adjusts to different product needs
- Deeper bottom shelf than top shelf for maximum visibility
- 4-sided double glass design showcases product
- Interior LED lighting
- Sliding access doors in rear
- Black painted steel exterior
- Casters simplify cleaning
- 110V



**WARRANTY**

RESIDENTIAL: Avantco assumes no liability for parts or labor coverage for component failure, factory defect or any other damages for units installed in non-commercial foodservice or residential applications.



### TECHNICAL DATA

#### Dimensions

Exterior Dimensions	71½"W x 26½"D x 48"H
Interior Dimensions	69⅞"W x 23"D x 25⅜"H
Net Volume	13.2 cu. ft.
Net Weight	474 lb.
Gross Weight	520 lb.
Packaging Dimensions	74¾"W x 31"D x 51"H

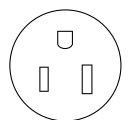
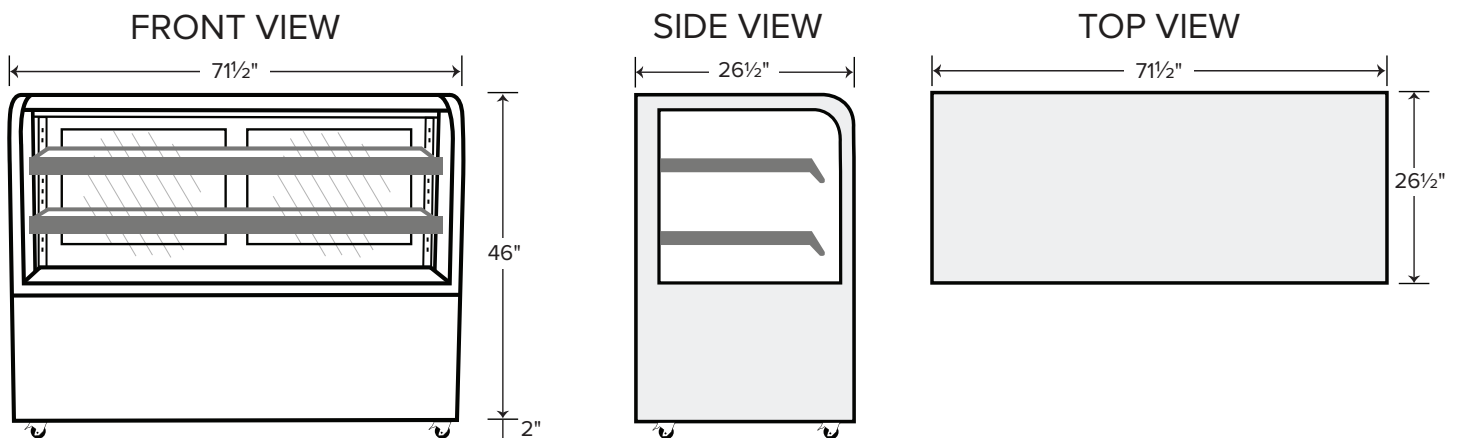
#### Electrical

Voltage	110
Amps	0.3
Hz	60
Phase	2
Plug Type	NEMA 5-15P
Electrical Cord Length	75"

#### Construction

Exterior Material	Painted Steel and Tempered Glass
Door Type	Sliding Glass
Shelves	4
Shelf Material	Tempered Glass
Shelf Load Capacity	55 lb.

### PLAN VIEW



NEMA 5-15P