



BC Series Curved Glass Bakery Case

MODEL #193BC72HCB

BC SERIES - BLACK

For showcasing refrigerated baked goods at maximum visibility.

CABINET CONSTRUCTION

Black painted steel exterior with 4-sided, double-glass display area to showcase product.

2 removable, sliding doors in rear for service.

REFRIGERATION SYSTEM

Environmentally safe R290 refrigerant. Bottom-mounted condensing unit positioned for easy maintenance. Forced-air system to keep food fresh and prevent it from drying out.

SHELVING

2 adjustable, tempered glass shelves with LED lighting.

MODEL FEATURES

Digital temperature controller features manual defrost function.

Maintains temperature between 36 and 43° F.

Casters for easy mobility and cleaning.

PROJECT: _____

MODEL: _____ SERIAL#: _____

ITEM #: _____ QUANTITY: _____

APPROVAL: _____ DATE: _____

SPECIAL FEATURES

- Eco-friendly R290 hydrocarbon refrigerant
- 4 adjustable, tempered glass shelves accommodate up to 55 lb. each
- 4-sided double glass design showcases product
- Sliding access doors in rear
- Easy-to-use, digital temperature controls
- Holds temperature between 36 and 43°F
- Foamed-in-place polyurethane insulation
- Black painted steel exterior
- Automatic defrost for maintenance
- 110V, 1/2 hp



WARRANTY

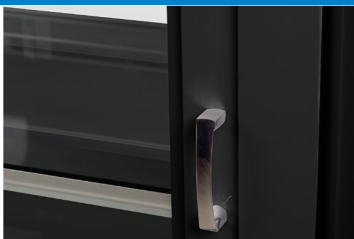
RESIDENTIAL: Avantco assumes no liability for parts or labor coverage for component failure, factory defect or any other damages for units installed in non-commercial foodservice or residential applications.



Parts & Labor



Compressor



TECHNICAL DATA

Dimensions

Exterior Dimensions	71½"W x 26½"D x 48"H
Interior Dimensions	69⅞"W x 23"D x 25⅜"H
Net Volume	13.2 cu. ft.
Net Weight	518 lb.
Gross Weight	564 lb.
Packaging Dimensions	74¾"W x 31"D x 51"H

Cooling

Temperature Range	36 - 43°F
Refrigerant	R290
Max. Ambient Temperature	90°F
Defrosting	Automatic
Temperature Controller	Digital
Horsepower	1/2
BTU (BTU/hr)	1773

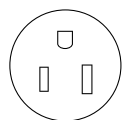
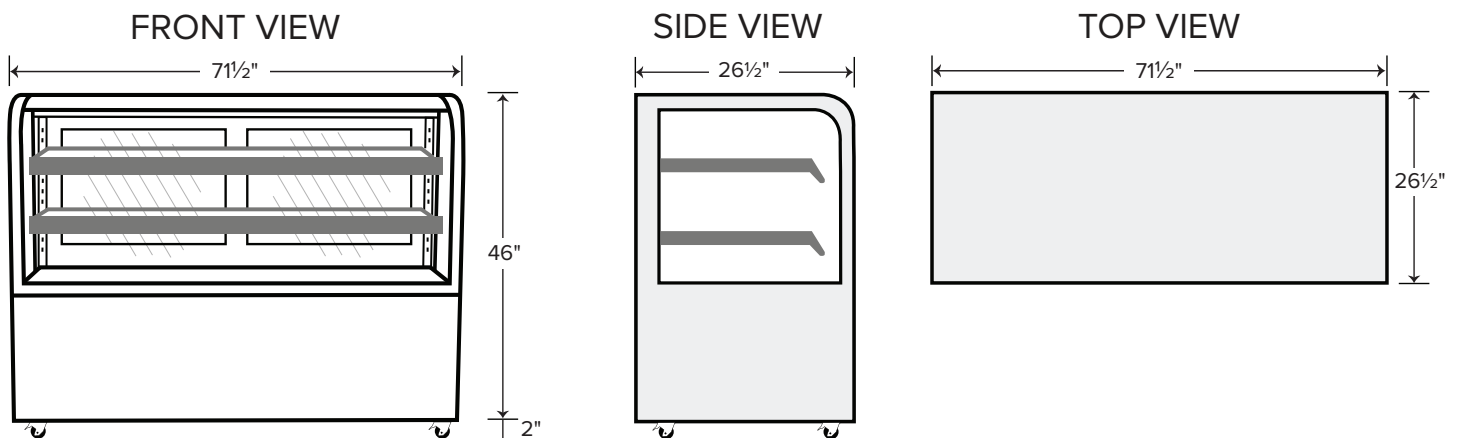
Construction

Exterior Material	Painted Steel and Tempered Glass
Door Type	Sliding Glass
Shelves	4
Shelf Material	Tempered Glass
Shelf Load Capacity	55 lb.

Electrical

Voltage	110
Amps	7.5
Hz	60
Phase	2
Plug Type	NEMA 5-15P
Electrical Cord Length	75"

PLAN VIEW



NEMA 5-15P