



# BC Series Curved Glass Bakery Case

**MODEL #193BC48HCW**

## BC SERIES - WHITE

For showcasing refrigerated baked goods at maximum visibility.

### CABINET CONSTRUCTION

White painted steel exterior with 4-sided, double-glass display area to showcase product.

2 removable, sliding doors in rear for service.

### REFRIGERATION SYSTEM

Environmentally safe R290 refrigerant. Bottom-mounted condensing unit positioned for easy maintenance. Forced-air system to keep food fresh and prevent it from drying out.

### SHELVING

2 adjustable, tempered glass shelves with LED lighting.

### MODEL FEATURES

Digital temperature controller features manual defrost function.

Maintains temperature between 36 and 43° F.

Casters for easy cleaning.

PROJECT: \_\_\_\_\_

MODEL: \_\_\_\_\_ SERIAL#: \_\_\_\_\_

ITEM #: \_\_\_\_\_ QUANTITY: \_\_\_\_\_

APPROVAL: \_\_\_\_\_ DATE: \_\_\_\_\_

### SPECIAL FEATURES

- Eco-friendly R290 hydrocarbon refrigerant
- 2 adjustable, tempered glass shelves accommodate up to 44 lb. each
- 4-sided double glass design showcases product
- Sliding access doors in rear
- Easy-to-use, digital temperature controls
- Holds temperature between 36 and 43°F
- Foamed-in-place polyurethane insulation
- White painted steel exterior
- Manual defrost for maintenance
- 115V, 1/4 hp



### WARRANTY

RESIDENTIAL: Avantco assumes no liability for parts or labor coverage for component failure, factory defect or any other damages for units installed in non-commercial foodservice or residential applications.



## TECHNICAL DATA

### Dimensions

Exterior Dimensions	47 $\frac{7}{8}$ "W x 26 $\frac{1}{2}$ "D x 48"H
Interior Dimensions	45 $\frac{1}{2}$ "W x 23"D x 25 $\frac{3}{8}$ "H
Net Volume	13.06 cu. ft.
Net Weight	342 lb.
Gross Weight	375 lb.
Packaging Dimensions	51 $\frac{1}{2}$ "W x 30"D x 50"H

### Cooling

Temperature Range	36 - 43°F
Refrigerant	R290
Max. Ambient Temperature	90°F
Max Humidity	60%
Defrosting	Automatic
Temperature Controller	Digital
Horsepower	1/4

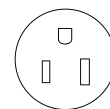
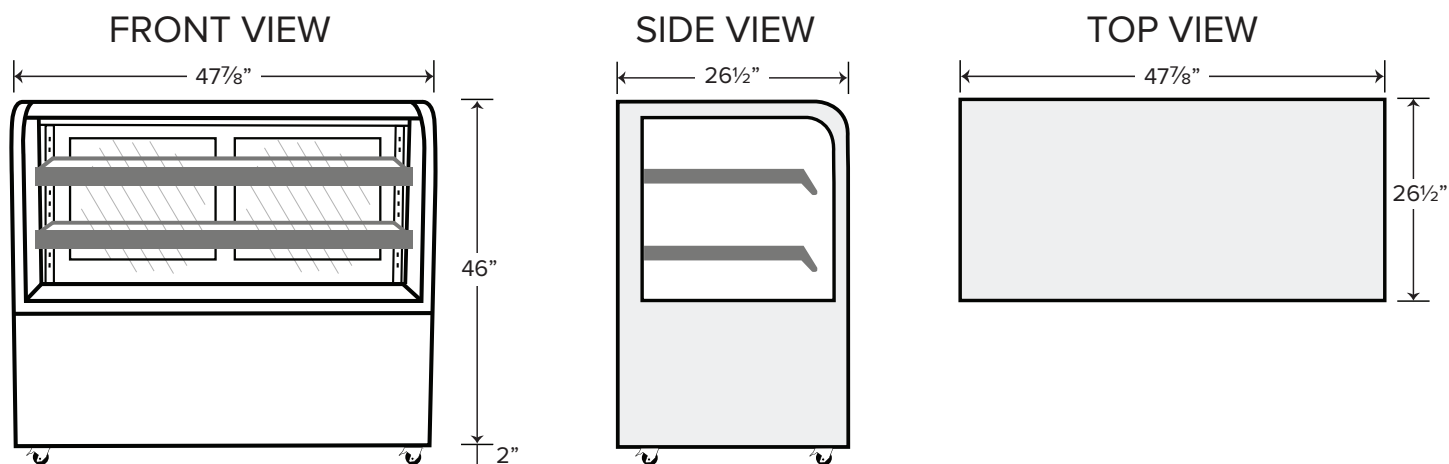
### Construction

Exterior Material	Painted Steel and Tempered Glass
Shelf Sizes	Top: 43 $\frac{3}{8}$ " x 12 $\frac{1}{4}$ " Bottom: 43 $\frac{3}{8}$ " x 14 $\frac{5}{8}$ "
Shelf Material	Tempered Glass
Shelf Load Capacity	44 lb.

### Electrical

Voltage	115
Amps	3.7
Hz	60
Phase	1
Plug Type	NEMA 5-15P
Electrical Cord Length	71"

## PLAN VIEW



NEMA 5-15P