



www.AvantcoRefrigeration.com

# UDD Series Beer Dispenser

BASE MODEL #178UDD72HCS • OPTIONAL MODELS #178UDD72S6, #178UDD72S8

## UDD SERIES - STAINLESS STEEL BEER DISPENSER

For convenient dispensing of cold ales and lagers.

### CABINET CONSTRUCTION

Heavy duty construction includes corrosion-resistant 304 stainless steel interior and 430 stainless steel exterior.

Durable 1½" thick stainless steel top surface is easy to clean after dispensing.

Foamed-in-place CFC- and HCFC-free polyurethane insulation enhances the structural integrity of the cabinet and helps increase energy efficiency.

Solid, locking doors feature stay-open feature beyond 90° for easy keg loading, but will self-close under 90° to save energy.

### SHELVING

6 epoxy-coated steel shelves included to optionally store cans or bottles.

### DISPENSING SYSTEM

2 double tap towers with 10¼" faucet height makes filling tall glasses easy.

Includes 4 "D" couplers per tap.

### REFRIGERATION SYSTEM

Environmentally-safe R290 refrigerant. Bottom-mounted condensing unit positioned for easy maintenance.

### MODEL FEATURES

Preprogrammed digital controls with auto defrost feature.

Built-in drip tray with front-facing drain catches drips and sloshes to reduce the amount of clean-up necessary. Drain includes ½" diameter barb for easy installation.

PROJECT: \_\_\_\_\_

MODEL: \_\_\_\_\_

ITEM #: \_\_\_\_\_ QUANTITY: \_\_\_\_\_

APPROVAL: \_\_\_\_\_ DATE: \_\_\_\_\_

## SPECIAL FEATURES

- Holds (3) ½ kegs
- (2) double tap towers with 10¼" faucet height
- ¼ hp compressor uses eco-friendly R290 hydrocarbon refrigerant
- 3 self-closing, locking doors
- LED lights illuminate interior
- Includes 4 "D" couplers per tap
- Sleek stainless steel finish
- 115V



## WARRANTY

RESIDENTIAL: Avantco assumes no liability for parts or labor coverage for component failure, factory defect or any other damages for units installed in non-commercial foodservice or residential applications.



05/2019



# UDD Series Beer Dispenser

BASE MODEL #178UDD72HCS

OPTIONAL MODELS #178UDD72S6, #178UDD72S8



[www.AvantcoRefrigeration.com](http://www.AvantcoRefrigeration.com)

## TECHNICAL DATA

### Dimensions

Exterior Dimensions	72 <sup>3</sup> / <sub>4</sub> "W x 24 <sup>3</sup> / <sub>8</sub> "D x 36 <sup>5</sup> / <sub>8</sub> "H
Interior Dimensions	60 <sup>1</sup> / <sub>8</sub> "W x 18 <sup>1</sup> / <sub>2</sub> "D x 28 <sup>7</sup> / <sub>8</sub> "H
Tap Tower Dimensions	16"H 3"Diameter
Faucet Height	10 <sup>1</sup> / <sub>4</sub> "
Product Capacity	(3) 1/2 Keg
Net Volume	21.6 cu. ft.
Net Weight	331 lb.
Gross Weight	374 lb.
Packaging Dimensions	75 <sup>1</sup> / <sub>4</sub> "W x 27 <sup>1</sup> / <sub>2</sub> "D x 41 <sup>3</sup> / <sub>4</sub> "H

### Construction

Exterior Material	Type 430 Stainless Steel
Interior Material	Type 304 Stainless Steel
Insulation Material	Foamed-in-place polyurethane
Taps	4
Shelves	(4) 19" x 18 <sup>1</sup> / <sub>4</sub> " + (2) 20 <sup>1</sup> / <sub>2</sub> " x 18 <sup>1</sup> / <sub>8</sub> "
Shelf Material	Epoxy-coated steel

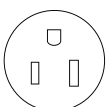
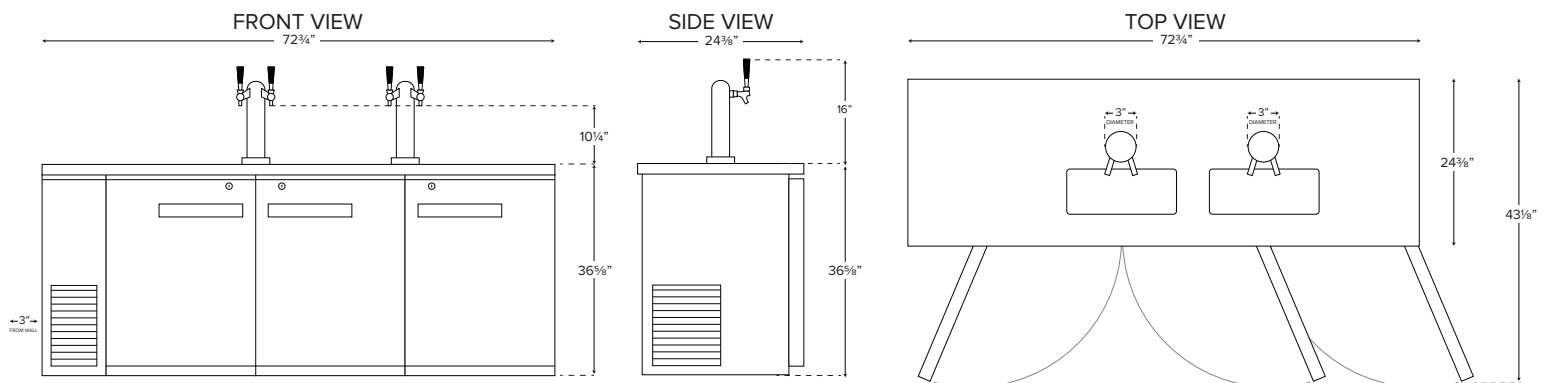
### Cooling

Temperature Range	33°F - 40°F
Refrigerant	R290
Max. Ambient Temperature	90°F
Defrosting	Automatic
Temperature Controller	Digital
Horsepower	1/4

### Electrical

Voltage	115
Amps	4
Hz	60
Phase	1
Plug Type	NEMA 5-15P
Electrical Cord Length	96"

## PLAN VIEW



NEMA 5-15P