



www.AvantcoRefrigeration.com

PROJECT: _____

MODEL: _____

ITEM #: _____ QUANTITY: _____

APPROVAL: _____ DATE: _____

UDD Series Beer Dispenser

BASE MODEL #178UDD4HC • OPTIONAL MODELS #178UDD46, #178UDD48

UDD SERIES - BEER DISPENSER

For convenient dispensing of cold ales and lagers.

CABINET CONSTRUCTION

Heavy duty construction includes corrosion-resistant 304 stainless steel interior and black coated steel exterior.

Durable 1½” thick stainless steel top surface is easy to clean after dispensing.

Foamed-in-place polyurethane insulation enhances the structural integrity of the cabinet and helps increase energy efficiency.

2 solid, locking doors feature stay-open feature beyond 90° for easy keg loading, but will self-close under 90° to save energy.

DISPENSING SYSTEM

2 double tap towers with 10¼” faucet height makes filling tall glasses easy.

Includes 4 “D” couplers per tap.

SHELVING

6 shelves included for optional use as a back bar cooler. Each accommodates up to 90 lb. to best suit your needs.

REFRIGERATION SYSTEM

Environmentally-safe R290 refrigerant. Bottom-mounted condensing unit positioned for easy maintenance.

MODEL FEATURES

Preprogrammed digital controls with auto defrost feature. Built-in drip tray with front-facing drain catches drips and sloshes to reduce the amount of clean-up necessary. Drain includes ½” diameter barb for easy installation.

SPECIAL FEATURES

- Holds (4) ½ kegs
- 2 double tap towers with 10¼” faucet height
- ¼ hp compressor uses environmentally-friendly R290 refrigerant
- Self-closing, locking doors
- LED lights illuminate interior
- Includes 4 “D” couplers per tap
- Black coated steel exterior and 304 stainless steel interior
- Foamed-in-place polyurethane insulation
- Easy-to-use digital temperature control
- 115V



WARRANTY

RESIDENTIAL: Avantco assumes no liability for parts or labor coverage for component failure, factory defect or any other damages for units installed in non-commercial foodservice or residential applications.



Parts & Labor



Compressor

05/2019



UDD Series Beer Dispenser

BASE MODEL #178UDD4HC

OPTIONAL MODELS 178UDD46, #178UDD48



www.AvantcoRefrigeration.com

TECHNICAL DATA

Dimensions

Exterior Dimensions	90¼"W x 27¾"D x 36¼"H
Interior Dimensions	77¾"W x 22½"D x 30½"H
Tap Tower Dimensions	16"H 3"Diameter
Faucet Height	10¼"
Product Capacity	(4) ½ Kegs
Net Volume	32.4 cu. ft.
Net Weight	364 lb.
Gross Weight	407 lb.
Packaging Dimensions	91¾"W x 30½"D x 41¾"H

Construction

Exterior Material	Black Coated Steel
Interior Material	Type 304 Stainless Steel
Insulation Material	Foamed-In-Place Polyurethane
Taps	4
Shelves	(4) 22½" x 21½" + (2) 24¾" x 21½"
Shelf Material	Epoxy-Coated Steel
Shelf Load Capacity	90 lb.

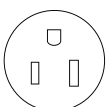
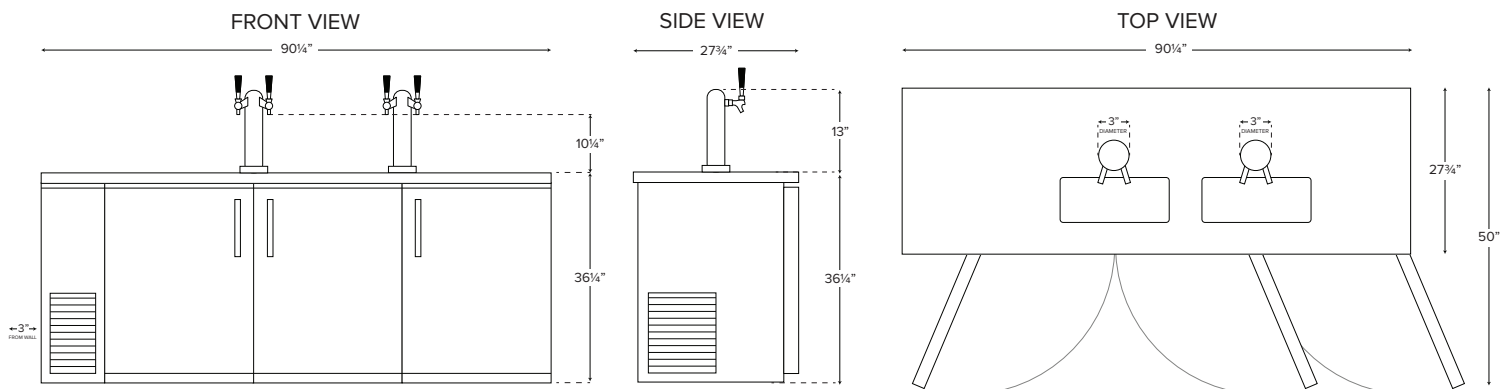
Cooling

Temperature Range	33°F - 40°F
Refrigerant	R290
Max. Ambient Temperature	90°F
Defrosting	Automatic
Temperature Controller	Digital
Horsepower	1/4

Electrical

Voltage	115
Amps	4.7
Hz	60
Phase	1
Plug Type	NEMA 5-15P
Electrical Cord Length	106"

PLAN VIEW



NEMA 5-15P