



www.AvantcoRefrigeration.com

PROJECT: _____

MODEL: _____

ITEM #: _____ QUANTITY: _____

APPROVAL: _____ DATE: _____

UDD Series Beer Dispenser

BASE MODEL #178UDD48HC • OPTIONAL MODELS #178UDD483, #178UDD484

UDD SERIES - BEER DISPENSER

For convenient dispensing of cold ales and lagers.

CABINET CONSTRUCTION

Heavy duty construction includes corrosion-resistant 304 stainless steel interior and black coated steel exterior.

Durable 1½” thick stainless steel top surface is easy to clean after dispensing.

Foamed-in-place CFC- and HCFC-free polyurethane insulation enhances the structural integrity of the cabinet and helps increase energy efficiency.

Solid, locking doors feature stay-open feature beyond 90° for easy keg loading, but will self-close under 90° to save energy.

SHELVING

4 epoxy-coated steel shelves included to optionally store cans or bottles.

DISPENSING SYSTEM

Double tap tower with 10¼” faucet height makes filling tall glasses easy.

Includes 2 “D” couplers per tap.

REFRIGERATION SYSTEM

Environmentally-safe R290 refrigerant. Bottom-mounted condensing unit positioned for easy maintenance.

MODEL FEATURES

Preprogrammed digital controls with auto defrost feature.

Built-in drip tray with front-facing drain catches drips and sloshes to reduce the amount of clean-up necessary. Drain includes ½” diameter barb for easy installation.

SPECIAL FEATURES

- Holds (2) ½ kegs
- Double tap tower with 10¼” faucet height
- ½ hp compressor uses eco-friendly R290 hydrocarbon refrigerant
- 2 self-closing, locking doors
- LED lights illuminate interior
- Includes 2 “D” couplers per tap
- Attractive black coated steel exterior for durability
- 115V



WARRANTY

RESIDENTIAL: Avantco assumes no liability for parts or labor coverage for component failure, factory defect or any other damages for units installed in non-commercial foodservice or residential applications.



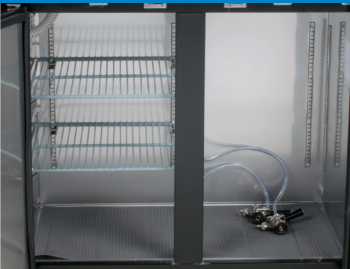
Parts & Labor



Compressor



05/2019



UDD Series Beer Dispenser

BASE MODEL #178UDD48HC

OPTIONAL MODELS #178UDD483, #178UDD484



www.AvantcoRefrigeration.com

TECHNICAL DATA

Dimensions

Exterior Dimensions	48 ³ / ₄ "W x 24 ³ / ₈ "D x 35 ⁵ / ₈ "H
Interior Dimensions	36 ¹ / ₄ "W x 18 ¹ / ₂ "D x 28 ⁷ / ₈ "H
Tap Tower Dimensions	16"H 3"Diameter
Faucet Height	10 ¹ / ₄ "
Product Capacity	(2) 1/2 Keg
Net Volume	13 cu. ft.
Net Weight	231 lb.
Gross Weight	275 lb.
Packaging Dimensions	51 ¹ / ₄ "W x 27 ¹ / ₂ "D x 41 ³ / ₄ "H

Cooling

Temperature Range	33°F - 40°F
Refrigerant	R290
Max. Ambient Temperature	90°F
Defrosting	Automatic
Temperature Controller	Digital
Horsepower	1/5

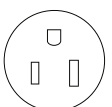
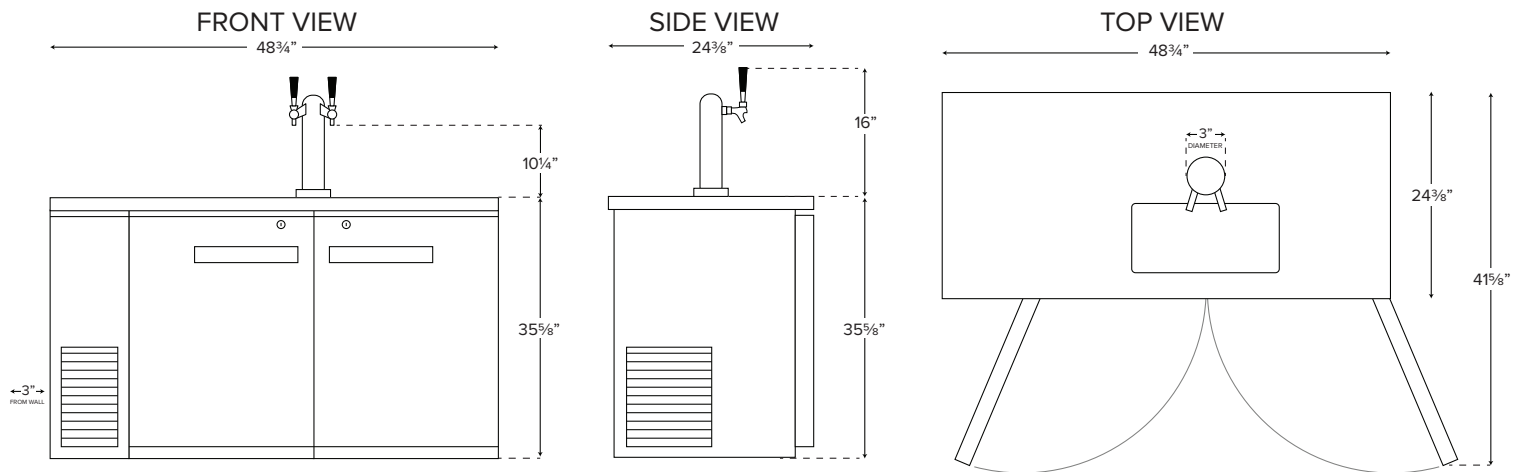
Construction

Exterior Material	Black Coated Steel
Interior Material	Type 304 Stainless Steel
Insulation Material	Foamed-in-place polyurethane
Taps	2
Shelves	(4) 17 ⁵ / ₈ " x 18 ¹ / ₈ "
Shelf Material	Epoxy-coated steel

Electrical

Voltage	115
Amps	3
Hz	60
Phase	1
Plug Type	NEMA 5-15P
Electrical Cord Length	96"

PLAN VIEW



NEMA 5-15P