



www.AvantcoRefrigeration.com

PROJECT: _____

MODEL: _____

ITEM #: _____ QUANTITY: _____

APPROVAL: _____ DATE: _____

UDD Series Beer Dispenser

BASE MODEL #178UDD2HC • OPTIONAL MODELS #178UDD23, #178UDD24

UDD SERIES - BEER DISPENSER

For convenient dispensing of cold ales and lagers.

CABINET CONSTRUCTION

Heavy duty construction includes corrosion-resistant 304 stainless steel interior and black coated steel exterior.

Durable 1½” thick stainless steel top surface is easy to clean after dispensing.

Foamed-in-place polyurethane insulation enhances the structural integrity of the cabinet and helps increase energy efficiency.

2 solid, locking doors feature stay-open feature beyond 90° for easy keg loading, but will self-close under 90° to save energy.

DISPENSING SYSTEM

Single tap tower features 3 taps. 10¼” faucet height makes filling tall glasses easy.

Includes 2 “D” couplers per tap.

SHELVING

4 shelves included for optional use as a back bar cooler. Each accommodates up to 90 lb. to best suit your needs.

REFRIGERATION SYSTEM

Environmentally-safe R290 refrigerant. Bottom-mounted condensing unit positioned for easy maintenance.

MODEL FEATURES

Preprogrammed digital controls with auto defrost feature. Built-in drip tray with front-facing drain catches drips and sloshes to reduce the amount of clean-up necessary. Drain includes ½” diameter barb for easy installation.

SPECIAL FEATURES

- Holds (2) ½ kegs
- 1 tap tower features 2 taps with 10¼” faucet height
- ½ hp compressor uses environmentally-friendly R290 refrigerant
- Self-closing, locking doors
- LED lights illuminate interior
- Includes 2 “D” couplers per tap
- Black coated steel exterior and 304 stainless steel interior
- Foamed-in-place polyurethane insulation
- Easy-to-use digital temperature control
- 115V



WARRANTY

RESIDENTIAL: Avantco assumes no liability for parts or labor coverage for component failure, factory defect or any other damages for units installed in non-commercial foodservice or residential applications.



Parts & Labor



Compressor

05/2019



UDD Series Beer Dispenser

BASE MODEL #178UDD2HC

OPTIONAL MODELS #178UDD23, #178UDD24



www.AvantcoRefrigeration.com

TECHNICAL DATA

Dimensions

Exterior Dimensions	58 ⁷ / ₈ "W x 27 ³ / ₄ "D x 36 ¹ / ₄ "H
Interior Dimensions	46 ¹ / ₄ "W x 22 ¹ / ₂ "D x 30 ¹ / ₂ "H
Tap Tower Dimensions	16"H 3"Diameter
Faucet Height	10 ¹ / ₄ "
Product Capacity	(2) ½ Kegs
Net Volume	19.4 cu. ft.
Net Weight	254 lb.
Gross Weight	297 lb.
Packaging Dimensions	61 ¹ / ₄ "W x 30 ¹ / ₂ "D x 41 ³ / ₄ "H

Construction

Exterior Material	Black Coated Steel
Interior Material	Type 304 Stainless Steel
Insulation Material	Foamed-In-Place Polyurethane
Taps	2
Shelves	(4) 22 ¹ / ₂ " x 21 ¹ / ₂ "
Shelf Material	Epoxy-Coated Steel
Shelf Load Capacity	90 lb.

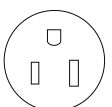
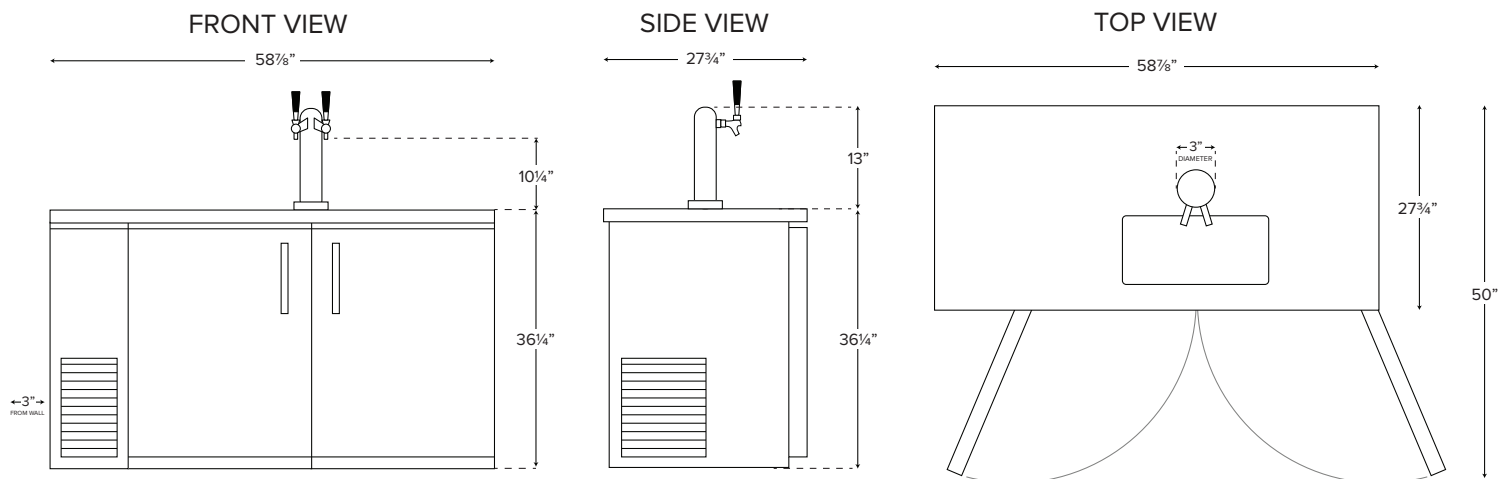
Cooling

Temperature Range	33°F - 40°F
Refrigerant	R290
Max. Ambient Temperature	90°F
Defrosting	Automatic
Temperature Controller	Digital
Horsepower	1/5

Electrical

Voltage	115
Amps	2.88
Hz	60
Phase	1
Plug Type	NEMA 5-15P
Electrical Cord Length	106"

PLAN VIEW



NEMA 5-15P