



UBB Series Galvanized Top Back Bar Refrigerator

MODELS #178UBB72GTGS

CABINET CONSTRUCTION

Heavy-duty stainless steel exterior with a type 201 stainless steel interior features coved corners for easy clean-up. Self-closing, glass doors come standard with locks to protect contents inside.

Foamed-in-place CFC- and HCFC-free polyurethane insulation enhances the structural strength of the cabinet and helps increase energy efficiency.

REFRIGERATION SYSTEM

Environmentally safe R290 refrigerant. Side-mounted condensing unit positioned for easy maintenance.

SHELVING

6 epoxy-coated steel shelves included. Each accommodates up to 90 lb.

MODEL FEATURES

Preprogrammed digital controller features auto-defrost function. LED lighting ensures optimal product visibility. Accommodates three 1/2 size kegs. Narrow depth design makes this unit ideal for tight bar spaces. Lower profile perfect for built-in bars.

PROJECT: _____

MODEL: _____ SERIAL#: _____

ITEM #: _____ QUANTITY: _____

APPROVAL: _____ DATE: _____

UBB SERIES - STAINLESS STEEL NARROW DEPTH, GLASS DOOR

Optimize space behind your bar.

SPECIAL FEATURES

- Galvanized top design is ideal for built-in, under-the-counter bars
- Eco-friendly R290 hydrocarbon refrigerant
- Sleek, stainless steel exterior with glass doors for easy viewing and a galvanized top
- Six epoxy-coated steel shelves accommodate up to 90 lb. each and are removable for flexibility
- Accommodates up to (3) 1/2 kegs
- Foamed-in-place polyurethane insulation
- 115V; 1/4 hp
- Type 201 stainless steel interior with LED lighting, coved corners, and food rated ETL Sanitation mark
- Digital controller features auto-defrost and maintains temperatures between 33-40°F



WARRANTY

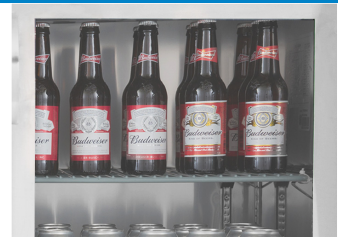
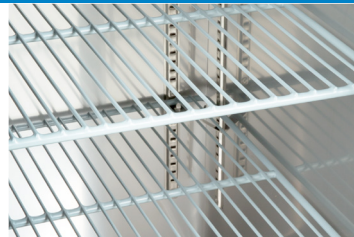
RESIDENTIAL: Avantco assumes no liability for parts or labor coverage for component failure, factory defect or any other damages for units installed in non-commercial foodservice or residential applications.



Parts & Labor



Compressor



TECHNICAL DATA

Dimensions

| | |
|----------------------|-----------------------|
| Exterior Dimensions | 72¾"W x 24⅞"D x 34¼"H |
| Interior Dimensions | 60⅞"W x 18½"D x 29"H |
| Net Volume | 21.6 cu. ft. |
| Product Capacity | (3) ½ kegs |
| Net Weight | 331 lb. |
| Gross Weight | 374 lb. |
| Packaging Dimensions | 75¼"W x 27½"D x 41¾"H |

Cooling

| | |
|--------------------------|-----------|
| Temperature Range | 33 - 40°F |
| Refrigerant | R290 |
| Max. Ambient Temperature | 90°F |
| Defrosting | Automatic |
| Temperature Controller | Digital |
| Horsepower | 1/4 |

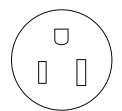
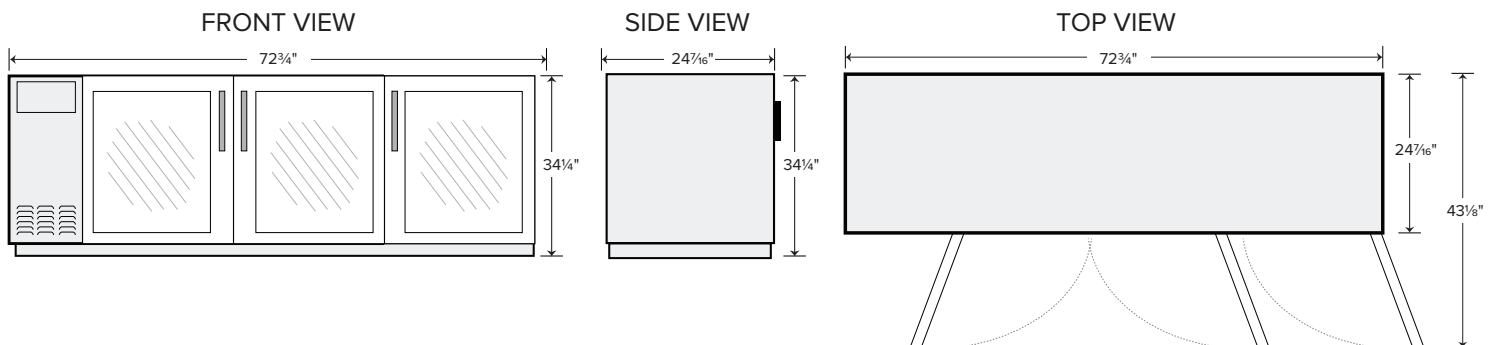
Construction

| | |
|---------------------|----------------------------------|
| Exterior Material | Type 430 Stainless steel |
| Interior Material | Type 201 Stainless steel |
| Countertop Type | Galvanized steel |
| Door Type | Glass |
| Insulation Material | Foamed-in-place polyurethane |
| Shelf Size | (4) 19" x 18¼" + (2) 20½" x 18⅛" |
| Shelf Material | Epoxy-coated steel |
| Shelf Load Capacity | 90 lb. |

Electrical

| | |
|------------------------|------------|
| Voltage | 115 |
| Amps | 3.96 |
| Hz | 60 |
| Phase | 1 |
| Plug Type | NEMA 5-15P |
| Electrical Cord Length | 106" |

PLAN VIEW



NEMA 5-15P