



# UBB Series Galvanized Top Back Bar Refrigerator

MODELS #178UBB72GTG

## CABINET CONSTRUCTION

Heavy-duty black coated steel exterior with a type 201 stainless steel interior features coved corners for easy clean-up. Self-closing, glass doors come standard with locks to protect contents inside.

Foamed-in-place CFC- and HCFC-free polyurethane insulation enhances the structural strength of the cabinet and helps increase energy efficiency.

## REFRIGERATION SYSTEM

Environmentally safe R290 refrigerant. Side-mounted condensing unit positioned for easy maintenance.

## SHELVING

6 epoxy-coated steel shelves included. Each accommodates up to 90 lb.

## MODEL FEATURES

Preprogrammed digital controller features auto-defrost function. LED lighting ensures optimal product visibility. Accommodates three ½ size kegs. Narrow depth design makes this unit ideal for tight bar spaces. Lower profile perfect for built-in bars.

PROJECT: \_\_\_\_\_

MODEL: \_\_\_\_\_ SERIAL#: \_\_\_\_\_

ITEM #: \_\_\_\_\_ QUANTITY: \_\_\_\_\_

APPROVAL: \_\_\_\_\_ DATE: \_\_\_\_\_

## UBB SERIES - NARROW DEPTH, GLASS DOOR

Optimize space behind your bar.

## SPECIAL FEATURES

- Galvanized top design is ideal for built-in, under-the-counter bars
- Eco-friendly R290 hydrocarbon refrigerant
- Sleek, black coated steel exterior with glass doors for easy viewing and a galvanized top
- Six epoxy-coated steel shelves accommodate up to 90 lb. each and are removable for flexibility
- Accommodates up to (3) ½ kegs
- Foamed-in-place polyurethane insulation
- 115V; 1/4 hp
- Type 201 stainless steel interior with LED lighting, coved corners, and food rated ETL Sanitation mark
- Digital controller features auto-defrost and maintains temperatures between 33-40°F



## WARRANTY

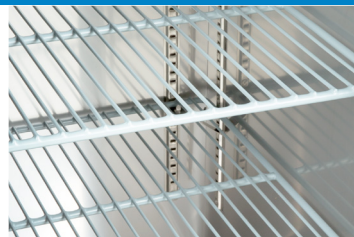
RESIDENTIAL: Avantco assumes no liability for parts or labor coverage for component failure, factory defect or any other damages for units installed in non-commercial foodservice or residential applications.



Parts & Labor



Compressor



## TECHNICAL DATA

### Dimensions

|                      |                       |
|----------------------|-----------------------|
| Exterior Dimensions  | 72¾"W x 24⅞"D x 34¼"H |
| Interior Dimensions  | 60⅞"W x 18½"D x 29"H  |
| Net Volume           | 21.6 cu. ft.          |
| Product Capacity     | (3) ½ kegs            |
| Net Weight           | 331 lb.               |
| Gross Weight         | 374 lb.               |
| Packaging Dimensions | 75¼"W x 27½"D x 41¾"H |

### Cooling

|                          |           |
|--------------------------|-----------|
| Temperature Range        | 33 - 40°F |
| Refrigerant              | R290      |
| Max. Ambient Temperature | 90°F      |
| Defrosting               | Automatic |
| Temperature Controller   | Digital   |
| Horsepower               | 1/4       |

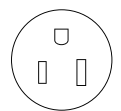
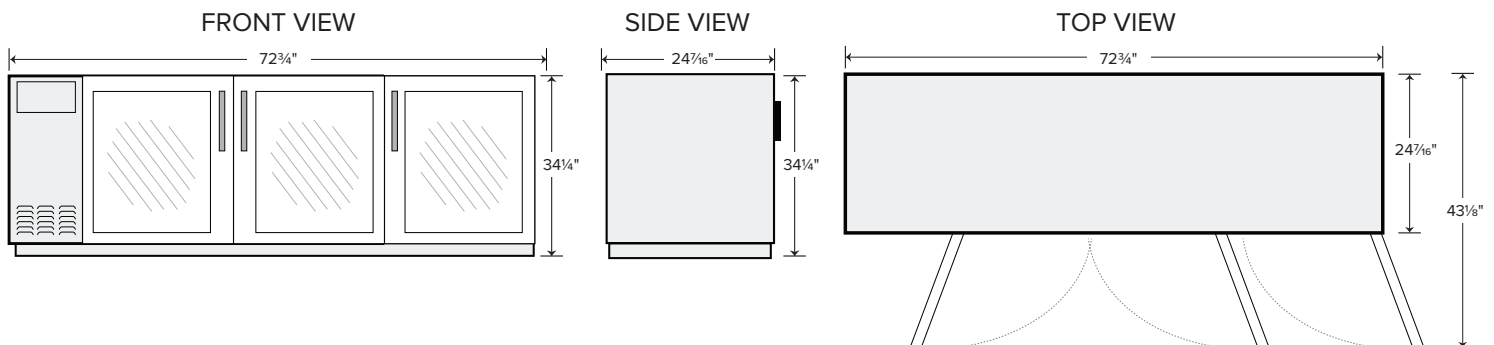
### Construction

|                     |                                  |
|---------------------|----------------------------------|
| Exterior Material   | Black Coated Steel               |
| Interior Material   | Type 201 Stainless steel         |
| Countertop Type     | Galvanized steel                 |
| Door Type           | Glass                            |
| Insulation Material | Foamed-in-place polyurethane     |
| Shelf Size          | (4) 19" x 18¼" + (2) 20½" x 18⅛" |
| Shelf Material      | Epoxy-coated steel               |
| Shelf Load Capacity | 90 lb.                           |

### Electrical

|                        |            |
|------------------------|------------|
| Voltage                | 115        |
| Amps                   | 3.96       |
| Hz                     | 60         |
| Phase                  | 1          |
| Plug Type              | NEMA 5-15P |
| Electrical Cord Length | 106"       |

## PLAN VIEW



NEMA 5-15P