



# UBB Series Galvanized Top Back Bar Refrigerator

MODELS #178UBB48GTS

### CABINET CONSTRUCTION

Heavy-duty stainless steel exterior with a type 201 stainless steel interior features coved corners for easy clean-up. Self-closing, solid doors come standard with locks to protect contents inside.

Foamed-in-place CFC- and HCFC-free polyurethane insulation enhances the structural strength of the cabinet and helps increase energy efficiency.

### REFRIGERATION SYSTEM

Environmentally safe R290 refrigerant. Side-mounted condensing unit positioned for easy maintenance.

### SHELVING

4 epoxy-coated steel shelves included. Each accommodates up to 90 lb.

### MODEL FEATURES

Preprogrammed digital controller features auto-defrost function. LED lighting ensures optimal product visibility. Accommodates two 1/2 size kegs. Narrow depth design makes this unit ideal for tight bar spaces. Lower profile perfect for built in bars.

PROJECT: \_\_\_\_\_  
MODEL: \_\_\_\_\_ SERIAL#: \_\_\_\_\_  
ITEM #: \_\_\_\_\_ QUANTITY: \_\_\_\_\_  
APPROVAL: \_\_\_\_\_ DATE: \_\_\_\_\_

**UBB SERIES - STAINLESS STEEL NARROW DEPTH, SOLID DOOR**  
Optimize space behind your bar.

### SPECIAL FEATURES

- Galvanized top design is ideal for built-in, under-the-counter bars
- Eco-friendly R290 hydrocarbon refrigerant
- Sleek, stainless steel exterior with solid doors and a galvanized top
- Four epoxy-coated steel shelves accommodate up to 90 lb. each and are removable for flexibility
- Accommodates up to (2) 1/2 kegs
- Foamed-in-place polyurethane insulation
- 115V; 1/5 hp
- Type 201 stainless steel interior with LED lighting, coved corners, and food rated ETL Sanitation mark
- Digital controller features auto-defrost and maintains temperatures between 33-40°F



### WARRANTY

RESIDENTIAL: Avantco assumes no liability for parts or labor coverage for component failure, factory defect or any other damages for units installed in non-commercial foodservice or residential applications.



Parts & Labor



Compressor



## TECHNICAL DATA

### Dimensions

Exterior Dimensions	48 <sup>3</sup> / <sub>4</sub> "W x 24 <sup>7</sup> / <sub>16</sub> "D x 34 <sup>1</sup> / <sub>4</sub> "H
Interior Dimensions	36 <sup>1</sup> / <sub>4</sub> "W x 18 <sup>1</sup> / <sub>2</sub> "D x 29"H
Net Volume	13 cu. ft.
Product Capacity	(2) ½ kegs
Net Weight	231 lb.
Gross Weight	282 lb.
Packaging Dimensions	51 <sup>1</sup> / <sub>4</sub> "W x 27 <sup>1</sup> / <sub>2</sub> "D x 41 <sup>3</sup> / <sub>4</sub> "H

### Cooling

Temperature Range	33 - 40°F
Refrigerant	R290
Max. Ambient Temperature	90°F
Defrosting	Automatic
Temperature Controller	Digital
Horsepower	1/5

### Construction

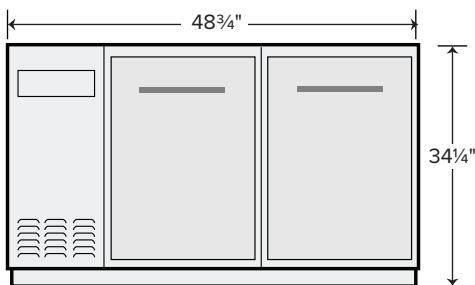
Exterior Material	Type 430 Stainless steel
Interior Material	Type 201 Stainless steel
Countertop Type	Galvanized steel
Door Type	Solid
Insulation Material	Foamed-in-place polyurethane
Shelf Size	(4) 17 <sup>5</sup> / <sub>8</sub> " x 18 <sup>1</sup> / <sub>8</sub> "
Shelf Material	Epoxy-coated steel
Shelf Load Capacity	90 lb.

### Electrical

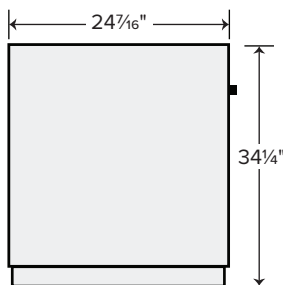
Voltage	115
Amps	2.88
Hz	60
Phase	1
Plug Type	NEMA 5-15P
Electrical Cord Length	106"

## PLAN VIEW

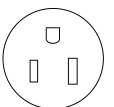
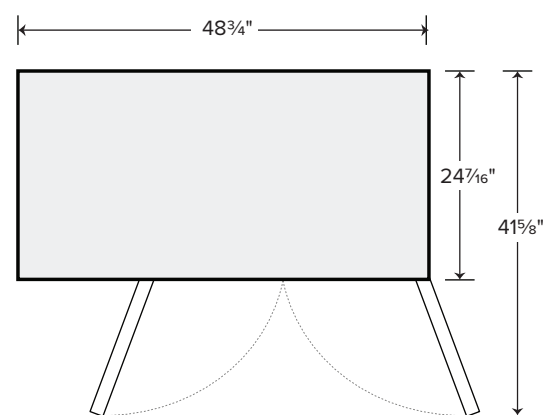
FRONT VIEW



SIDE VIEW



TOP VIEW



NEMA 5-15P