



www.AvantcoRefrigeration.com

# SSPT Series Salad/Sandwich Prep Table MEGA TOP

MODEL #178SSPT71MHC

## SSPT SERIES - SANDWICH & SALAD PREP

Ample prep space to create subs, salads, and sandwiches with convenient cold ingredient storage

### CABINET CONSTRUCTION

Heavy duty construction includes 430 type stainless steel exterior with a 304 type stainless steel interior and an overall 35¼" working height.

Foamed-in-place CFC- and HCFC-free polyurethane insulation enhances the structural strength of the cabinet and helps increase energy efficiency. Insulated lid helps maintain safe product temperatures.

Full length, 8" deep cutting board for easy prep work.

Easy-to-use recessed full-length stainless steel handles. Door stays open past 90° for easy loading, but will self-close under 90° to save energy.

### REFRIGERATION SYSTEM

Environmentally safe R290 refrigerant. Rear-mounted condensing unit positioned for easy maintenance.

### SHELVING

3 epoxy-coated wire shelves accommodate up to 90 lb. each.

### MODEL FEATURES

Preprogrammed digital controller features auto-defrost function.

Top pan rail holds up to (30) 1/6 size, 6" deep food pans. Pan rail is air cooled from the bottom.

PROJECT: \_\_\_\_\_

MODEL: \_\_\_\_\_

ITEM #: \_\_\_\_\_ QUANTITY: \_\_\_\_\_

APPROVAL: \_\_\_\_\_ DATE: \_\_\_\_\_

## SPECIAL FEATURES

- Eco-friendly R290 hydrocarbon refrigerant
- Accommodates (30) 1/6 size, 6" deep food pans (sold separately)
- 430 type stainless steel exterior and 304 type stainless steel interior
- Full length, 3/4" thick, 8" deep cutting board for easy prep work
- Three self-closing swing doors with recessed full-length stainless steel handles
- Maintains a food safe temperature range of 33-40°F
- Easy-to-read digital temperature controller
- Includes convenient auto-defrost feature
- Foamed-in-place polyurethane insulation
- 115V, 3/4 hp
- Pan rail is air cooled from the bottom



## WARRANTY

RESIDENTIAL: Avantco assumes no liability for parts or labor coverage for component failure, factory defect or any other damages for units installed in non-commercial foodservice or residential applications.



Parts & Labor



Compressor



10/2020



# SSPT Series Salad/Sandwich Prep Table MEGA TOP

MODEL #178SSPT71MHC



[www.AvantcoRefrigeration.com](http://www.AvantcoRefrigeration.com)

## TECHNICAL DATA

### Dimensions

Exterior Dimensions	70 <sup>3</sup> / <sub>8</sub> "W x 35"D x 45 <sup>7</sup> / <sub>8</sub> "H
Interior Dimensions	66 <sup>1</sup> / <sub>2</sub> "W x 23 <sup>3</sup> / <sub>4</sub> "D x 23 <sup>1</sup> / <sub>2</sub> "H
Working Height	35 <sup>1</sup> / <sub>4</sub> "
Overall Height (Lid Open)	51 <sup>3</sup> / <sub>4</sub> "
Net Volume	18 cu. ft.
Net Weight	528 lb.
Gross Weight	605 lb.
Packaging Dimensions	74 <sup>3</sup> / <sub>4</sub> "W x 39 <sup>1</sup> / <sub>4</sub> "D x 49"H

### Cooling

Temperature Range	33°F - 40°F
Refrigerant	R290
Max. Ambient Temperature	90°F
Defrosting	Automatic
Temperature Controller	Digital
Horsepower	3/4

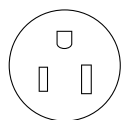
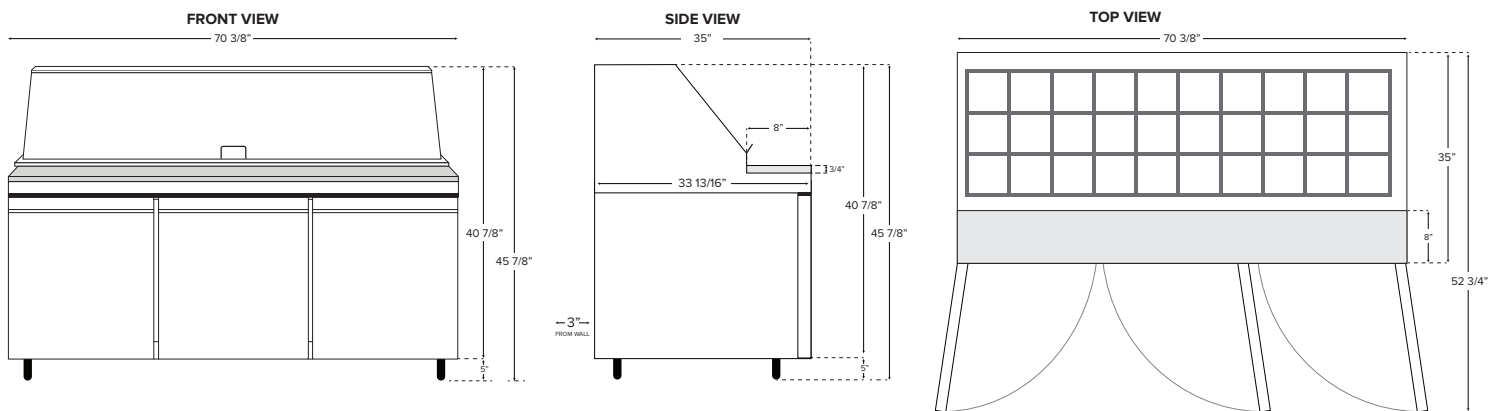
### Construction

Exterior Material	Type 430 Stainless Steel
Interior Material	Type 304 Stainless Steel
Insulation Material	Foamed-in -place polyurethane
Shelf Size	(3) 21 <sup>5</sup> / <sub>8</sub> " x 17 <sup>1</sup> / <sub>16</sub> "
Shelf Material	Epoxy-coated steel
Shelf Load Capacity	90 lb.

### Electrical

Voltage	115
Amps	8.8
Hz	60
Phase	1
Plug Type	NEMA 5-15P
Electrical Cord Length	84"

## PLAN VIEW



NEMA 5-15P