

# SSPPT Series Pizza Prep Table

REFRIGERATION  
**AVANTCO**

[www.AvantcoRefrigeration.com](http://www.AvantcoRefrigeration.com)

**MODEL #178SSPPT2**

## SSPPT SERIES - PIZZA PREP TABLE

Add prep space and cold ingredient storage.

### CABINET CONSTRUCTION

Features 430 type stainless steel exterior and 304 type stainless steel interior.

Foamed-in-place CFC- and HCFC-free polyurethane insulation enhances the structural integrity of the cabinet. Insulated lid helps maintain safe product temperatures.

Full-length, 19 $\frac{7}{16}$ " deep cutting board for easy prep work and pizza assembly.

Doors feature easy-to-use, full-length stainless steel recessed handles for quick interior access. Doors stay open past 90° for easy loading, but will self-close under 90° to save energy.

### REFRIGERATION SYSTEM

Environmentally safe R290 refrigerant. Side-mounted condensing unit positioned for easy maintenance.

### SHELVING

(2) epoxy-coated wire shelves accommodates up to 90 lb each.

### MODEL FEATURES

Preprogrammed digital controller features auto-defrost function.

Top pan rail holds up to (9) 1/3 size 6" deep food pans. Pan rail is air cooled from the bottom.

## SPECIAL FEATURES

- Eco-friendly R290 hydrocarbon refrigerant
- Sleek, 430 type stainless steel exterior
- 304 type stainless steel interior for increased corrosion resistance
- Easy-to-use digital controller with auto defrost maintains temperatures from 33-40°F
- Full length, 19 $\frac{7}{16}$ " deep cutting board
- Top holds up to (9) 1/3 size food pans up to 6" deep (sold separately)
- Insulated lid for better temperature retention
- Refrigerated base with (2) adjustable shelves included
- 115V, 1/5 hp



## WARRANTY

RESIDENTIAL: Avantco assumes no liability for parts or labor coverage for component failure, factory defect or any other damages for units installed in non-commercial foodservice or residential applications.



Parts & Labor



Compressor



Intertek Intertek



# SSPPT Series Pizza Prep Table



[www.AvantcoRefrigeration.com](http://www.AvantcoRefrigeration.com)

**MODELS #178SSPPT2**

## TECHNICAL DATA

### Dimensions

Exterior Dimensions	67 <sup>15</sup> / <sub>16</sub> "W x 31 <sup>1</sup> / <sub>2</sub> "D x 42 <sup>13</sup> / <sub>16</sub> "H
Interior Dimensions	47 <sup>5</sup> / <sub>8</sub> "W x 26 <sup>3</sup> / <sub>16</sub> "D x 22 <sup>7</sup> / <sub>8</sub> "H
Working Height	35 <sup>1</sup> / <sub>4</sub> "
Overall Height (Lid Open)	56 <sup>3</sup> / <sub>4</sub> "
Cutting Board Dimensions	67 <sup>15</sup> / <sub>16</sub> "W x 19 <sup>7</sup> / <sub>16</sub> "D x <sup>3</sup> / <sub>4</sub> "H
Net Volume	16.4 cu. ft.
Net Weight	419 lb.
Gross Weight	476 lb.
Pan Capacity	(9) 1/3 Size
Packing Dimensions	73 <sup>1</sup> / <sub>16</sub> "W x 36 <sup>5</sup> / <sub>8</sub> "D x 45 <sup>7</sup> / <sub>8</sub> "H

### Cooling

Temperature Range	33°F - 40°F
Refrigerant	R290
Max. Ambient Temperature	90°F
Defrosting	Automatic
Temperature Controller	Digital
Horsepower	1/5
BTU/Hour	631

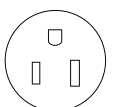
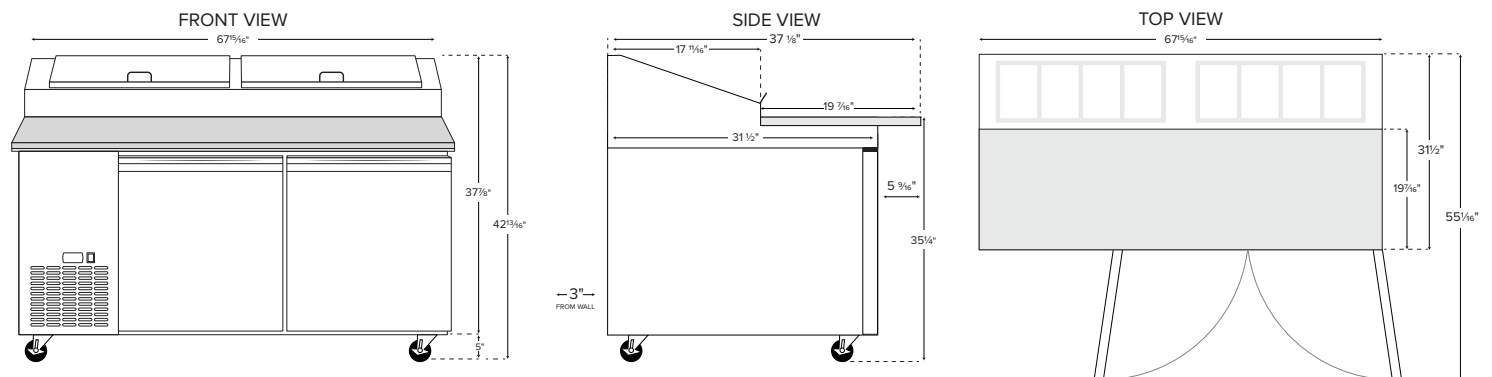
### Construction

Exterior Material	Type 430 Stainless Steel
Interior Material	Type 304 Stainless Steel
Insulation Material	Foamed-in-place Polyurethane
Shelves	(2) 23 <sup>1</sup> / <sub>8</sub> "W x 24 <sup>3</sup> / <sub>8</sub> "D
Shelf Material	Epoxy-coated Steel
Shelf Load Capacity	90 lb.

### Electrical

Voltage	115
Amps	5.1
Hz	60
Phase	1
Plug Type	NEMA 5-15P
Electrical Cord Length	98 <sup>7</sup> / <sub>16</sub> "

## PLAN VIEW



NEMA 5-15P