

SSPPT Series Pizza Prep Table

REFRIGERATION
AVANTCO

www.AvantcoRefrigeration.com

MODEL #178SSPPT260

SSPPT SERIES - PIZZA PREP TABLE

Add prep space and cold ingredient storage.

CABINET CONSTRUCTION

Features 430 type stainless steel exterior and 304 type stainless steel interior.

Foamed-in-place CFC- and HCFC-free polyurethane insulation enhances the structural integrity of the cabinet. Insulated lid helps maintain safe product temperatures.

Full-length, 19 $\frac{7}{16}$ " deep cutting board for easy prep work and pizza assembly.

Doors feature easy-to-use, full-length stainless steel recessed handles for quick interior access. Doors stay open past 90° for easy loading, but will self-close under 90° to save energy.

REFRIGERATION SYSTEM

Environmentally safe R290 refrigerant. Side-mounted condensing unit positioned for easy maintenance.

SHELVING

(2) epoxy-coated wire shelves accommodates up to 90 lb each.

MODEL FEATURES

Preprogrammed digital controller features auto-defrost function.

Top pan rail holds up to (7) 1/3 size 6" deep food pans. Pan rail is air cooled from the bottom.

SPECIAL FEATURES

- Eco-friendly R290 hydrocarbon refrigerant
- Sleek, 430 type stainless steel exterior
- 304 type stainless steel interior for increased corrosion resistance
- Easy-to-use digital controller with auto defrost maintains temperatures from 33-40°F
- Full length, 19 $\frac{7}{16}$ " deep cutting board
- Top holds up to (7) 1/3 size food pans up to 6" deep (sold separately)
- Insulated lid for better temperature retention
- Refrigerated base with (2) adjustable shelves included
- 115V, 1/5 hp



WARRANTY

RESIDENTIAL: Avantco assumes no liability for parts or labor coverage for component failure, factory defect or any other damages for units installed in non-commercial foodservice or residential applications.



Parts & Labor



Compressor



Intertek Intertek



SSPPT Series Pizza Prep Table



www.AvantcoRefrigeration.com

MODELS #178SSPPT260

TECHNICAL DATA

Dimensions

Exterior Dimensions	60 $\frac{1}{8}$ "W x 31 $\frac{1}{2}$ "D x 42 $\frac{13}{16}$ "H
Interior Dimensions	39 $\frac{3}{4}$ "W x 26 $\frac{3}{16}$ "D x 22 $\frac{7}{8}$ "H
Working Height	35 $\frac{1}{4}$ "
Overall Height (Lid Open)	56 $\frac{3}{4}$ "
Cutting Board Dimensions	60 $\frac{1}{8}$ "W x 19 $\frac{7}{16}$ "D x $\frac{3}{4}$ "H
Net Volume	13.1 cu. ft.
Net Weight	364 lb.
Gross Weight	419 lb.
Pan Capacity	(7) 1/3 Size
Packing Dimensions	65 $\frac{1}{4}$ "W x 36 $\frac{5}{8}$ "D x 45 $\frac{7}{8}$ "H

Cooling

Temperature Range	33°F - 40°F
Refrigerant	R290
Max. Ambient Temperature	90°F
Defrosting	Automatic
Temperature Controller	Digital
Horsepower	1/5
BTU/Hour	631

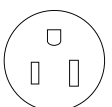
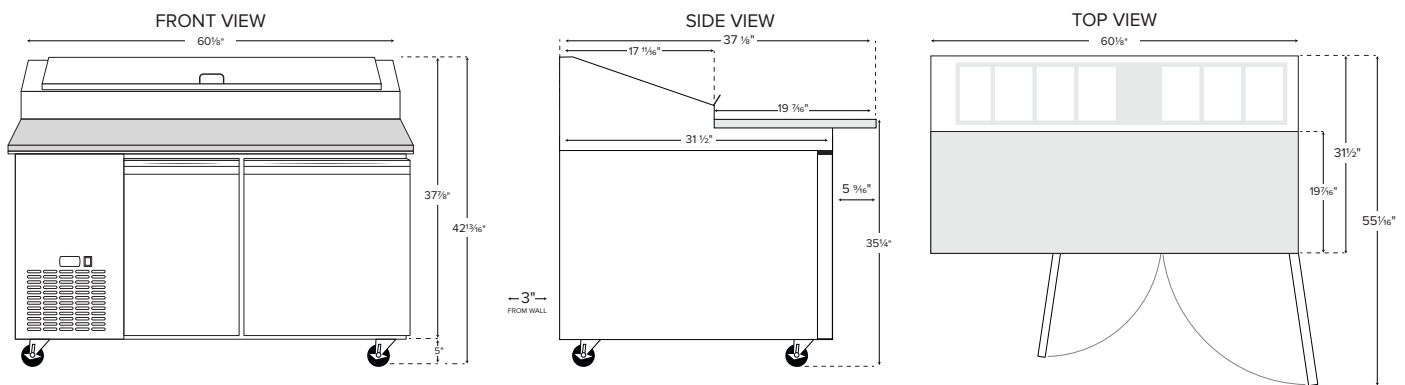
Construction

Exterior Material	Type 430 Stainless Steel
Interior Material	Type 304 Stainless Steel
Insulation Material	Foamed-in-place Polyurethane
Shelves	(1) 15 $\frac{3}{16}$ "W x 24 $\frac{3}{8}$ "D (1) 23 $\frac{1}{8}$ "W x 24 $\frac{3}{8}$ "D
Shelf Material	Epoxy-coated Steel
Shelf Load Capacity	90 lb.

Electrical

Voltage	115
Amps	5.1
Hz	60
Phase	1
Plug Type	NEMA 5-15P
Electrical Cord Length	98 $\frac{7}{16}$ "

PLAN VIEW



NEMA 5-15P