

HBB Series Horizontal Bottle Coolers

REFRIGERATION
AVANTCO

www.AvantcoRefrigeration.com

MODEL #178HBB50HC

HBB SERIES - HORIZONTAL BOTTLE COOLERS

Keep plenty of cold canned and bottled beverages on hand

CABINET CONSTRUCTION

Heavy duty construction includes black plastic coated steel exterior with painted aluminum interior. Stainless steel locking lids and countertop surface.

Foamed-in-place CFC- and HCFC-free polyurethane insulation enhances the structural strength of the cabinet and helps increase energy efficiency. Insulated locking lid helps maintain safe product temperatures.

REFRIGERATION SYSTEM

Environmentally-safe R290 refrigerant. Bottom-mounted condensing unit positioned for easy maintenance.

SHELVING

3 epoxy-coated steel dividers included.

MODEL FEATURES

Preprogrammed digital controller features auto-defrost function. Included bottle opener with removable cap catcher makes service convenient. Locking stainless steel lids protects contents during off hours.

SPECIAL FEATURES

- Eco-friendly R290 hydrocarbon refrigerant
- Durable black coated steel exterior; painted aluminum interior
- Maintains temperatures from 33 to 40°F
- Spacious 12.7 cu. ft. interior features 3 epoxy-coated dividers
- Includes 2 locking lids and comes with 1 removable bottle opener/cap catcher
- Foamed-in-place polyurethane insulation
- Easy-to-read digital temperature controller and auto-defrost function and auto-defrost function
- 115V, 1/6 hp



WARRANTY

RESIDENTIAL: Avantco assumes no liability for parts or labor coverage for component failure, factory defect or any other damages for units installed in non-commercial foodservice or residential applications.



Parts & Labor



Compressor



HBB Series Horizontal Bottle Coolers

MODEL #178HB50HC



www.AvantcoRefrigeration.com

TECHNICAL DATA

Dimensions

Exterior Dimensions	49½"W x 28"D x 34¼"H
Interior Dimensions	45⅜"W x 23"D x 26"H
Net Volume	12.7 cu. ft.
Net Weight	181 lb.
Gross Weight	224 lb.
Packaging Dimensions	56"W x 32¾"D x 41¾"H

Cooling

Temperature Range	33°F - 40°F
Refrigerant	R290
Max. Ambient Temperature	90°F
Defrosting	Automatic
Temperature Controller	Digital
Horsepower	1/6

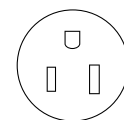
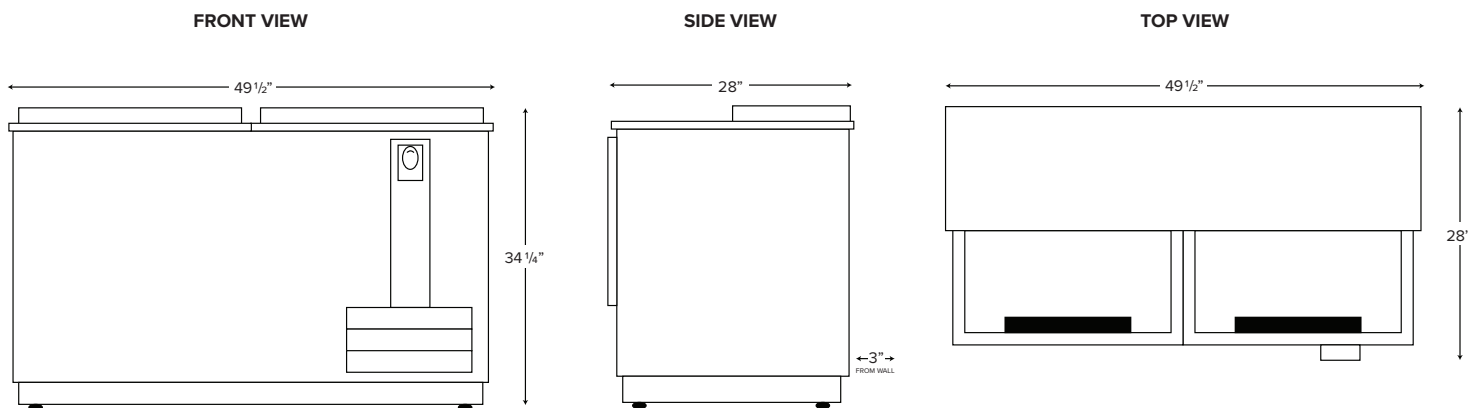
Construction

Exterior Material	Black Coated Steel
Interior Material	Painted Aluminum
Insulation Material	Foamed-In-Place Polyurethane
Shelf Size	(3) 23" x 26"
Shelf Material	Epoxy Coated Steel

Electrical

Voltage	115
Amps	2.28
Hz	60
Phase	1
Plug Type	NEMA 5-15P
Electrical Cord Length	90"

PLAN VIEW



NEMA 5-15P