

HBB Series Horizontal Bottle Coolers

REFRIGERATION
AVANTCO

MODEL #178HBB36HC

www.AvantcoRefrigeration.com

HBB SERIES - HORIZONTAL BOTTLE COOLERS

Keep plenty of cold canned and bottled beverages on hand.

CABINET CONSTRUCTION

Heavy-duty black coated steel exterior with a white painted aluminum interior. Stainless steel lid for easy access. Lid locks to protect contents inside.

Foamed-in-place CFC- and HCFC-free polyurethane insulation enhances the structural strength of the cabinet and helps increase energy efficiency.

REFRIGERATION SYSTEM

Environmentally-safe R290 refrigerant.

SHELVING

2 epoxy-coated steel shelves included.

MODEL FEATURES

Preprogrammed digital controller features auto-defrost function. Included bottle opener with removable cap catcher makes service convenient.

SPECIAL FEATURES

- Eco-friendly R290 hydrocarbon refrigerant
- 2 epoxy-coated steel shelves for bottles
- Durable black coated steel exterior
- Painted aluminum interior
- Digital temperature controls hold between 33 - 40°F
- Spacious 4.1 cu. ft. interior
- Includes locking lid for easy, but secure access
- Removable bottle opener/cap catcher included
- Foamed-in-place polyurethane insulation
- Auto-defrost for easy maintenance
- 115V, 1/6 hp



WARRANTY

RESIDENTIAL: Avantco assumes no liability for parts or labor coverage for component failure, factory defect or any other damages for units installed in non-commercial foodservice or residential applications.



Parts & Labor



Compressor



HBB Series Horizontal Bottle Coolers

MODELS #178HBB36HC



www.AvantcoRefrigeration.com

TECHNICAL DATA

Dimensions

Exterior Dimensions	36"W x 28"D x 34¼"H
Interior Dimensions	31⅞"W x 23"D x 15¾"H
Net Volume	8.5 cu. ft.
Net Weight	159 lb.
Gross Weight	199 lb.
Packaging Dimensions	41½"W x 31"D x 41¾"H

Cooling

Temperature Range	33°F - 40°F
Refrigerant	R290
Max. Ambient Temperature	90°F
Defrosting	Automatic
Temperature Controller	Digital
Horsepower	1/6

Construction

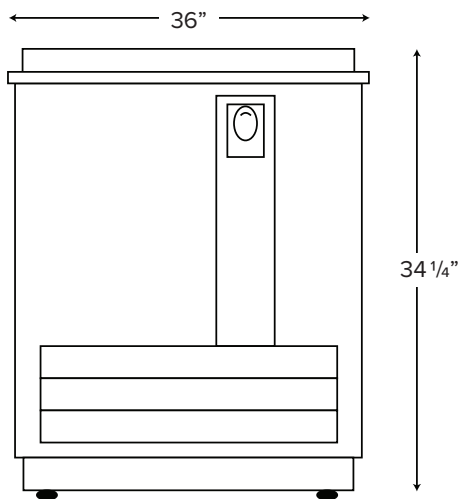
Exterior Material	Black Plastic Coated Steel
Interior Material	Painted Aluminum
Insulation Material	Foamed-In-Place Polyurethane
Shelves	(2) 23"x26"
Shelf Material	Epoxy-Coated Steel

Electrical

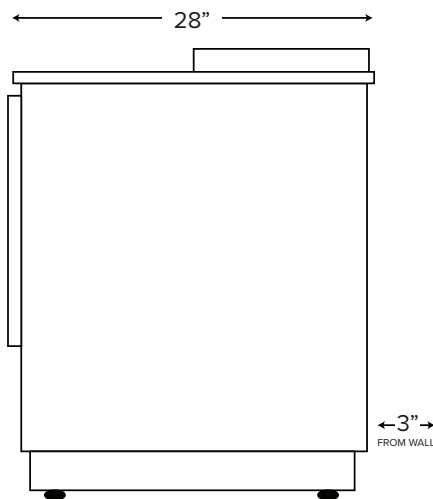
Voltage	115
Amps	2.28
Hz	60
Phase	1
Plug Type	NEMA 5-15P
Electrical Cord Length	90"

PLAN VIEW

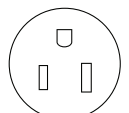
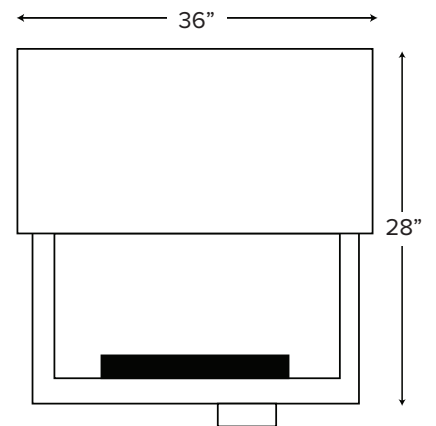
FRONT VIEW



SIDE VIEW



TOP VIEW



NEMA 5-15P