

HBB Series Horizontal Bottle Coolers

REFRIGERATION
AVANTCO

www.AvantcoRefrigeration.com

MODEL #178HBB25HC

HBB SERIES - HORIZONTAL BOTTLE COOLERS

Keep plenty of cold canned and bottled beverages on hand

CABINET CONSTRUCTION

Heavy duty construction includes black plastic coated steel exterior with a painted aluminum interior. Stainless steel locking lids and countertop surface.

Foamed-in-place CFC- and HCFC-free polyurethane insulation enhances the structural strength of the cabinet and helps increase energy efficiency. Insulated lid helps maintain safe product temperatures.

REFRIGERATION SYSTEM

Environmentally-safe R290 refrigerant. Bottom-mounted condensing unit positioned for easy maintenance.

MODEL FEATURES

Preprogrammed digital controller features auto-defrost function. Included bottle opener with removable cap catcher makes service convenient. Locking stainless steel lids protects contents during off hours.

SPECIAL FEATURES

- Eco-friendly R290 hydrocarbon refrigerant
- Durable black coated steel exterior; painted aluminum interior
- Maintains temperatures from 33 to 40°F
- Spacious 4.1 cu. ft. interior
- Includes a locking lid and a removable bottle opener/cap catcher
- Foamed-in-place polyurethane insulation
- Easy-to-read digital temperature controller and auto-defrost function
- 115V, 1/6 hp



WARRANTY

RESIDENTIAL: Avantco assumes no liability for parts or labor coverage for component failure, factory defect or any other damages for units installed in non-commercial foodservice or residential applications.



Parts & Labor



Compressor



HBB Series Horizontal Bottle Coolers

MODELS #178HBB25HC



www.AvantcoRefrigeration.com

TECHNICAL DATA

Dimensions

Exterior Dimensions	26 ³ / ₈ "W x 28"D x 34 ¹ / ₄ "H
Interior Dimensions	22 ¹ / ₄ "W x 23"D x 15 ³ / ₄ "H
Net Volume	4.1 cu. ft.
Net Weight	128 lb.
Gross Weight	158 lb.
Packaging Dimensions	30 ¹ / ₄ "W x 31"D x 41 ³ / ₄ "H

Cooling

Temperature Range	33°F - 40°F
Refrigerant	R290
Max. Ambient Temperature	90°F
Defrosting	Automatic
Temperature Controller	Digital
Horsepower	1/6

Construction

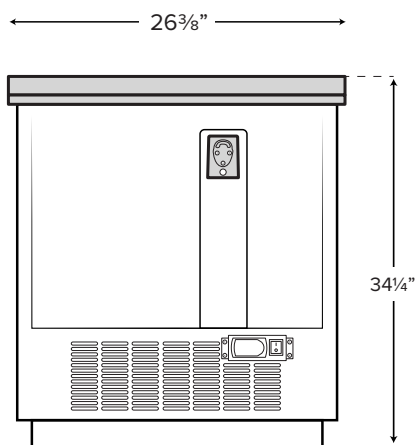
Exterior Material	Black Coated Steel
Interior Material	Painted Aluminum
Insulation Material	Foamed-In-Place Polyurethane

Electrical

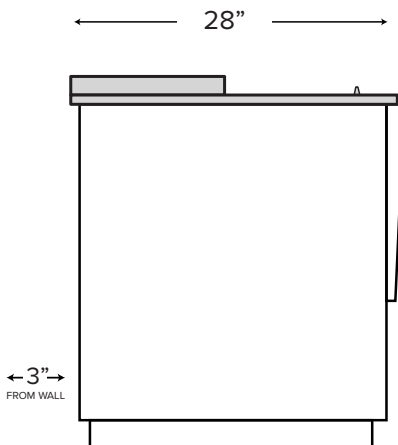
Voltage	115
Amps	2.04
Hz	60
Phase	1
Plug Type	NEMA 5-15P
Electrical Cord Length	90"

PLAN VIEW

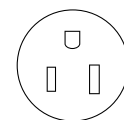
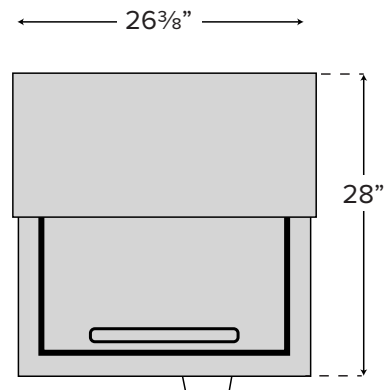
FRONT VIEW



SIDE VIEW



TOP VIEW



NEMA 5-15P