

GDC Series Glass Door Merchandiser

REFRIGERATION
AVANTCO

MODELS | #178GDC23HCB, #178GDC23HCW

www.AvantcoRefrigeration.com

GDC SERIES - GLASS DOOR REFRIGERATOR

Used for the merchandising and storage of hermetically sealed products for sale

CABINET CONSTRUCTION

Heavy duty construction includes white-coated aluminum interior walls and stainless steel floor. Exterior features peel and chip-resistant, powder-coated cold rolled steel that is durable and permanent.

LED lighted interior saves energy by producing less heat and maximizes product visibility in display area.

Foamed-in-place CFC- and HCFC-free polyurethane insulation enhances the structural strength of the cabinet and helps increase energy efficiency.

One-piece grill is easily removed for cleaning and servicing.

Dual-pane tempered glass door self-closes to save energy.

REFRIGERATION SYSTEM

Environmentally-safe R290 refrigerant. Bottom-mounted condensing unit positioned for easy maintenance. "No stoop" lower shelf maximizes visibility by raising merchandised product to a higher level.

SHELVING

Four white epoxy-coated steel shelves included. Each accommodate up to 90 lb.

MODEL FEATURES

Copper evaporator coil eliminates the potential of corrosion.

Convenient clean-out drain built into cabinet floor.

Easy to read digital controls.

SPECIAL FEATURES

- Single self-closing, anti-fog glass door
- Interior LED lighting
- (4) epoxy-coated steel shelves included
- Foamed-in-place polyurethane insulation
- Bottom mount condensing unit
- Removable door gasket for easy cleaning
- Automatic defrosting
- Stainless steel floor
- Copper evaporator
- Available in black or white powder-coated steel exterior
- Eco-friendly R290 hydrocarbon refrigerant



WARRANTY

RESIDENTIAL: Avantco assumes no liability for parts or labor coverage for component failure, factory defect or any other damages for units installed in non-commercial foodservice or residential applications.



Parts & Labor



Compressor



GDC Series Glass Door Merchandiser

MODELS | #178GDC23HCB, #178GDC23HCW



www.AvantcoRefrigeration.com

TECHNICAL DATA

Dimensions

Exterior Dimensions	28 ³ / ₈ "W x 31 ⁷ / ₈ "D x 84 ³ / ₈ "H
Interior Dimensions	25 ¹ / ₄ "W x 28 ³ / ₈ "D x 62 ¹ / ₂ "H
Net Volume	23 cu. ft.
Net Weight	320 lbs.
Gross Weight	352 lbs.
Packaging Dimensions	30"W x 65 ¹ / ₂ "D x 85 ¹ / ₂ "H

Construction

Exterior Material	Coated steel
Interior Material	Painted aluminum
Door Type	Glass swing
Insulation Material	Foamed-in -place polyurethane
Shelf Size	(4) 24 ¹ / ₄ " x 23 ¹ / ₄ "
Shelf Material	Epoxy-coated steel
Shelf Load Capacity	90 lb.

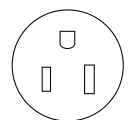
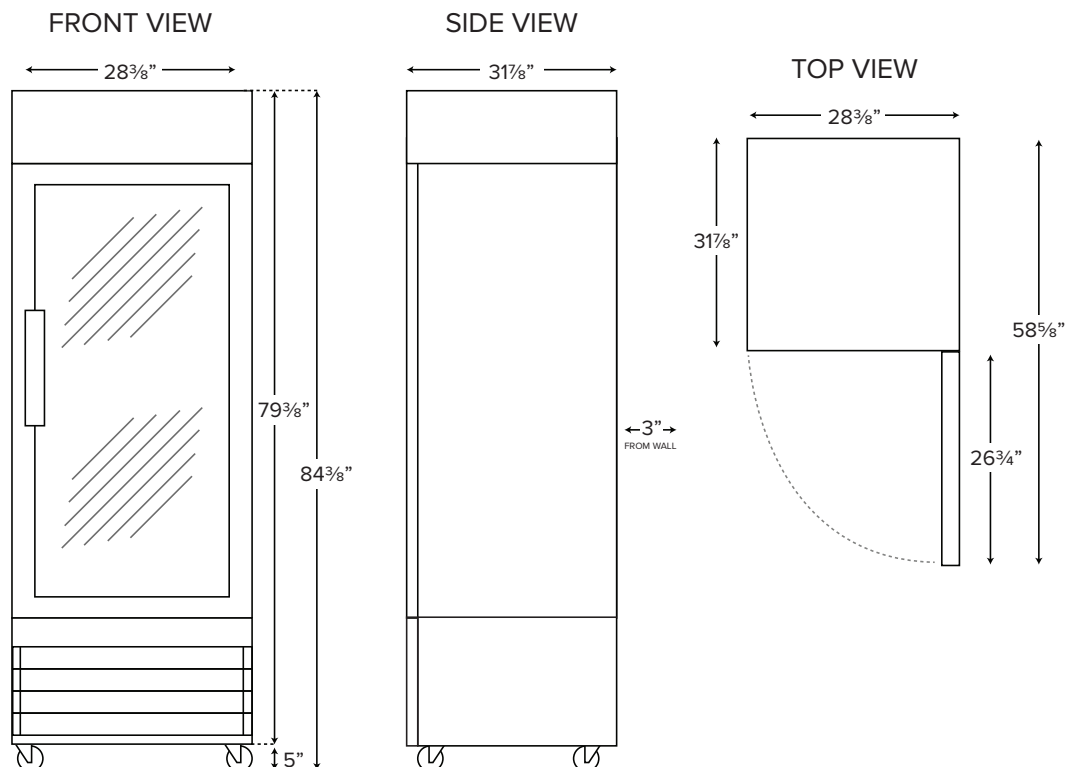
Cooling

Temperature Range	33°F-40°F
Refrigerant	R290
Max. Ambient Temperature	90°F
Defrosting	Automatic
Temperature Controller	Digital
Horsepower	1/5

Electrical

Voltage	115
Amps	3
Hz	60
Phase	1
Plug Type	NEMA 5-15P
Electrical Cord Length	96"

PLAN VIEW



NEMA 5-15P