



PROJECT: \_\_\_\_\_

MODEL: \_\_\_\_\_ SERIAL#: \_\_\_\_\_

ITEM #: \_\_\_\_\_ QUANTITY: \_\_\_\_\_

APPROVAL: \_\_\_\_\_ DATE: \_\_\_\_\_

# A Series Undercounter Freezer

**MODELS #178AU48FHC**

## CABINET CONSTRUCTION

Features 430 type stainless steel exterior and painted aluminum interior.

Foamed-in-place CFC- and HCFC-free polyurethane insulation enhances the structural strength of the cabinet and helps increase energy efficiency.

One-piece rear grill is easily removed for cleaning and servicing.

Double doors feature easy-to-use recessed handles for quick interior access. Doors stay open past 90° for easy loading, but will self-close under 90° to save energy.

## REFRIGERATION SYSTEM

Environmentally safe R290 refrigerant. Rear-mounted condensing unit positioned for easy maintenance.

## SHELVING

2 white epoxy-coated steel shelves included. It accommodates up to 90 lb.

## MODEL FEATURES

Copper evaporator coil eliminates the potential of corrosion.

Interior wall-mounted thermometer for easy temperature monitoring.

Preprogrammed digital controller features auto-defrost function.

## A SERIES - UNDERCOUNTER FREEZER

Increase cold food prep storage in your kitchen

## SPECIAL FEATURES

- Eco-friendly R290 hydrocarbon refrigerant
- Strong and sleek 430 type stainless steel exterior
- Painted aluminum interior maintains temperatures from (-8)°F - (-1)°F
- Two epoxy-coated steel shelves accommodates up to 90 lb. each
- Foamed-in-place polyurethane insulation
- Easy-to-read digital temperature controller and auto-defrost function
- Casters for easy mobility
- 115V, 2/7 hp



## WARRANTY

RESIDENTIAL: Avantco assumes no liability for parts or labor coverage for component failure, factory defect or any other damages for units installed in non-commercial foodservice or residential applications.



Parts & Labor



Compressor



★ Conforms to UL & NSF-7 Standards





# A Series Undercounter Freezer

MODELS #178AU48FHC

## TECHNICAL DATA

### Dimensions

Exterior Dimensions	47¼"W x 29½"D x 35¼"H
Interior Dimensions	42½"W x 22⅞"D x 23½"H
Working Height	35¼"
Net Volume	11.9 cu. ft.
Net Weight	214 lb.
Gross Weight	275 lb.
Packaging Dimensions	50"W x 32¼"D x 38½"H

### Cooling

Temperature Range	(-8)°F - (-1)°F
Refrigerant	R290
Max. Ambient Temperature	100°F
Defrosting	Automatic
Temperature Controller	Digital
Horsepower	2/7
BTU	1264

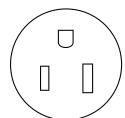
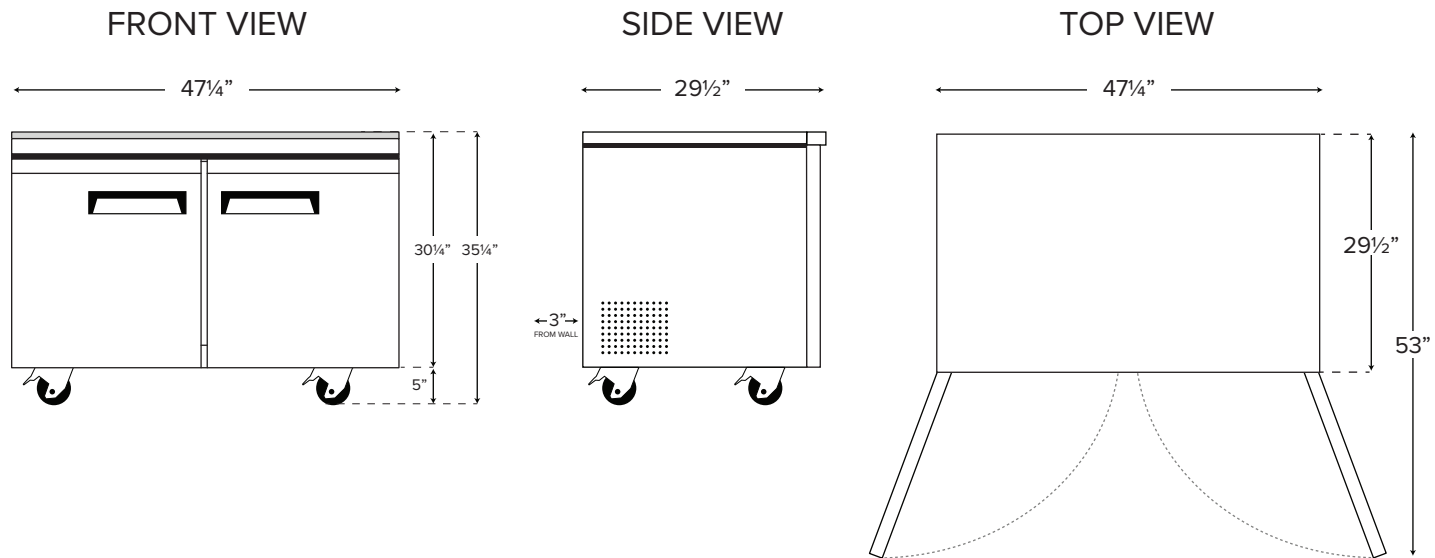
### Construction

Exterior Material	Type 430 Stainless Steel
Interior Material	Painted Aluminum
Insulation Material	Foamed-in -place polyurethane
Shelf Size	(2) 20 <sup>13</sup> / <sub>16</sub> " x 17 <sup>1</sup> / <sub>16</sub> "
Shelf Material	Epoxy-coated steel
Shelf Load Capacity	90 lb.

### Electrical

Voltage	115
Amps	4.5
Hz	60
Phase	1
Plug Type	NEMA 5-15P
Electrical Cord Length	84"

## PLAN VIEW



NEMA 5-15P