



PROJECT: _____

MODEL: _____ SERIAL#: _____

ITEM #: _____ QUANTITY: _____

APPROVAL: _____ DATE: _____

A Series Undercounter Refrigerator

MODELS #178AU27RHC

CABINET CONSTRUCTION

Features 430 type stainless steel exterior and painted aluminum interior.

Foamed-in-place CFC- and HCFC-free polyurethane insulation enhances the structural strength of the cabinet and helps increase energy efficiency.

One-piece rear grill is easily removed for cleaning and servicing.

Single door features easy-to-use recessed handles for quick interior access. Door stays open past 90° for easy loading, but will self-close under 90° to save energy.

REFRIGERATION SYSTEM

Environmentally safe R290 refrigerant. Rear-mounted condensing unit positioned for easy maintenance.

SHELVING

1 white epoxy-coated steel shelf included. It accommodates up to 90 lb.

MODEL FEATURES

Copper evaporator coil eliminates the potential of corrosion.

Interior wall-mounted thermometer for easy temperature monitoring.

Preprogrammed digital controller features auto-defrost function.

A SERIES - UNDERCOUNTER REFRIGERATOR

Increase cold food prep storage in your kitchen

SPECIAL FEATURES

- Eco-friendly R290 hydrocarbon refrigerant
- Strong and sleek 430 type stainless steel exterior
- Painted aluminum interior maintains temperatures from 33°F - 40°F
- One epoxy-coated steel shelf accommodates up to 90 lb. each
- Foamed-in-place polyurethane insulation
- Easy-to-read digital temperature controller and auto-defrost function
- Casters for easy mobility
- 115V, 1/6 hp



WARRANTY

RESIDENTIAL: Avantco assumes no liability for parts or labor coverage for component failure, factory defect or any other damages for units installed in non-commercial foodservice or residential applications.



Parts & Labor



Compressor



★ Conforms to UL & NSF-7 Standards





A Series Undercounter Refrigerator

MODELS #178AU27RHC

TECHNICAL DATA

Dimensions

Exterior Dimensions	27"W x 29½"D x 35¼"H
Interior Dimensions	22¼"W x 22⅞"D x 23½"H
Working Height	35¼"
Net Volume	6.2 cu. ft.
Net Weight	159 lb.
Gross Weight	202 lb.
Packaging Dimensions	29¾"W x 32¼"D x 38½"H

Cooling

Temperature Range	33°F - 40°F
Refrigerant	R290
Max. Ambient Temperature	100°F
Defrosting	Automatic
Temperature Controller	Digital
Horsepower	1/6
BTU	666

Construction

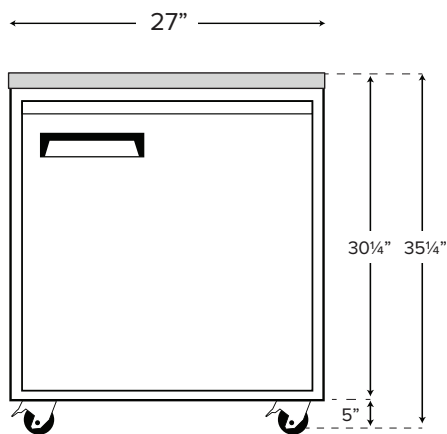
Exterior Material	Type 430 Stainless Steel
Interior Material	Painted Aluminum
Insulation Material	Foamed-in -place polyurethane
Shelf Size	(1) 21⅞" x 17¾"
Shelf Material	Epoxy-coated steel
Shelf Load Capacity	90 lb.

Electrical

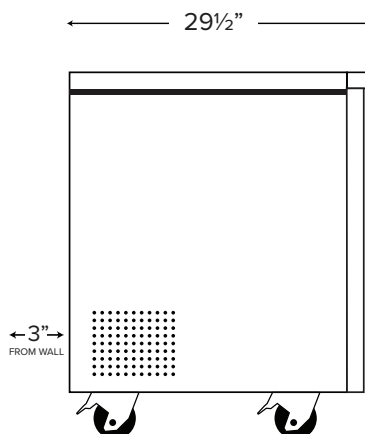
Voltage	115
Amps	1.9
Hz	60
Phase	1
Plug Type	NEMA 5-15P
Electrical Cord Length	84"

PLAN VIEW

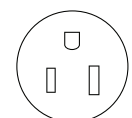
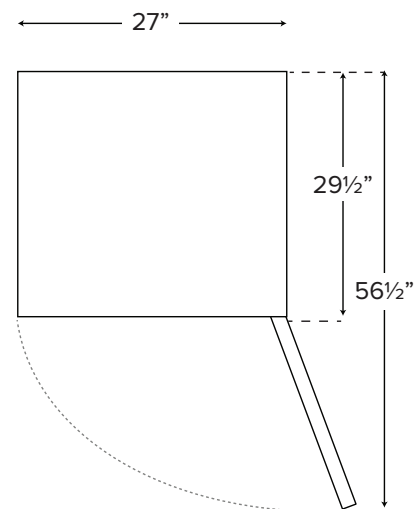
FRONT VIEW



SIDE VIEW



TOP VIEW



NEMA 5-15P