



www.AvantcoRefrigeration.com

PROJECT: \_\_\_\_\_

MODEL: \_\_\_\_\_

ITEM #: \_\_\_\_\_ QUANTITY: \_\_\_\_\_

APPROVAL: \_\_\_\_\_ DATE: \_\_\_\_\_

# A Series Salad/Sandwich Prep Table MEGA TOP

MODEL #178APT27MHC

## A Series - SANDWICH & SALAD PREP

Add prep space and cold ingredient storage

### CABINET CONSTRUCTION

Features 430 type stainless steel exterior and painted aluminum interior. Overall working height is 35¼".

Foamed-in-place CFC- and HCFC-free polyurethane insulation enhances the structural integrity of the cabinet. Insulated lid helps maintain safe product temperatures.

Full-length, 8" deep cutting board for easy prep work.

Door features easy-to-use, recessed handle for quick interior access. Door stays open past 90° for easy loading, but will self-close under 90° to save energy.

### REFRIGERATION SYSTEM

Environmentally safe R290 refrigerant. Rear-mounted condensing unit positioned for easy maintenance.

### SHELVING

1 epoxy-coated wire shelf included. It accommodates up to 90 lb.

### MODEL FEATURES

Preprogrammed digital controller features auto-defrost function.

Top pan rail holds up to (9) 1/6 size and (3) 1/9 size, 6" deep food pans. Pan rail is air cooled from the bottom.

Pan liner catches any ingredients that may fall between the pans, preventing them from falling within the cabinet.

### SPECIAL FEATURES

- Eco-friendly R290 hydrocarbon refrigerant
- Sleek, stainless steel exterior
- Painted aluminum interior maintains temperatures from 33-40°F
- Top holds up to (9) 1/6 size and (3) 1/9 size, 6" deep food pans (sold separately)
- Full length, ¾" thick, 8" deep cutting board for easy prep work
- Insulated lid helps maintain safe product temperatures
- Single self-closing swing door with recessed handles
- Pan liner catches any ingredients that may fall between the pans, preventing them from falling within the cabinet
- 115V, 1/5 hp



### WARRANTY

RESIDENTIAL: Avantco assumes no liability for parts or labor coverage for component failure, factory defect or any other damages for units installed in non-commercial foodservice or residential applications.



Parts & Labor



Compressor

01/2020



# A Series Salad/Sandwich Prep Table MEGA TOP

MODEL #178APT27MHC



[www.AvantcoRefrigeration.com](http://www.AvantcoRefrigeration.com)

## TECHNICAL DATA

### Dimensions

Exterior Dimensions	27½"W x 35"D x 45⅞"H
Interior Dimensions	24"W x 23¾"D x 23½"H
Working Height	35¼"
Overall Height (Lid Open)	51¾"
Net Volume	6 cu. ft.
Net Weight	187 lb.
Gross Weight	242 lb.
Packaging Dimensions	31¾"W x 39¼"D x 49"H

### Cooling

Temperature Range	33°F - 40°F
Refrigerant	R290
Max. Ambient Temperature	90°F
Defrosting	Automatic
Temperature Controller	Digital
Horsepower	1/5

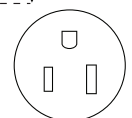
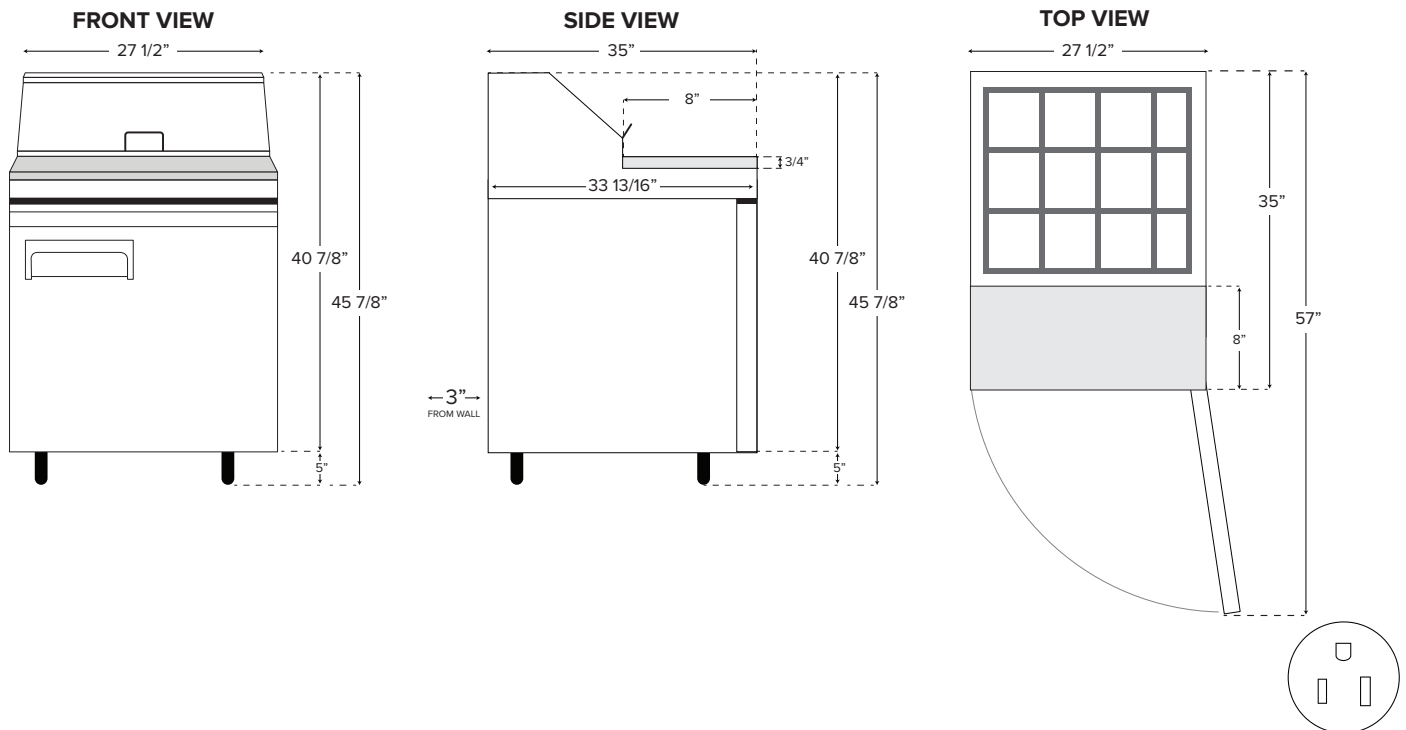
### Construction

Exterior Material	Type 430 Stainless Steel
Interior Material	Painted Aluminum
Insulation Material	Foamed-in -place polyurethane
Shelf Size	(1) 17⅙" x 23½"
Shelf Material	Epoxy-coated steel
Shelf Load Capacity	90 lb.

### Electrical

Voltage	115
Amps	5.3
Hz	60
Phase	1
Plug Type	NEMA 5-15P
Electrical Cord Length	84"

## PLAN VIEW



NEMA 5-15P