



www.AvantcoRefrigeration.com

PROJECT: _____

MODEL: _____

ITEM #: _____ QUANTITY: _____

APPROVAL: _____ DATE: _____

APPT Series Pizza Prep Table

MODEL #178APPT49HC

APPT SERIES - PIZZA PREP TABLE

Add prep space and cold ingredient storage to your kitchen.

CABINET CONSTRUCTION

Features 430 type stainless steel exterior and aluminum interior.

Foamed-in-place CFC- and HCFC-free polyurethane insulation enhances the structural integrity of the cabinet. Insulated lid helps maintain safe product temperatures.

Full-length, 19⁷/₁₆" deep cutting board for easy prep work and pizza assembly.

Door features easy-to-use, full-length stainless steel recessed handle for quick interior access. Door stays open past 90° for easy loading, but will self-close under 90° to save energy.

REFRIGERATION SYSTEM

Environmentally safe R290 refrigerant. Side-mounted condensing unit positioned for easy maintenance.

SHELVING

An epoxy-coated steel shelf accommodates up to 90 lb.

MODEL FEATURES

Preprogrammed digital controller features auto-defrost function.

Top pan rail holds up to (6) 1/3 size, 6" deep food pans. Pan rail is air cooled from the bottom.

SPECIAL FEATURES

- Eco-friendly R290 hydrocarbon refrigerant
- Sleek, 430 type stainless steel exterior
- Aluminum interior maintains temperatures from 33-40°F
- Full length, 19⁷/₁₆" deep cutting board
- Top holds up to (6) 1/3 size food pans up to 6" deep (sold separately)
- Insulated lid for better temperature retention
- Refrigerated base with an adjustable shelf included
- 115V, 1/6 hp



WARRANTY

RESIDENTIAL: Avantco assumes no liability for parts or labor coverage for component failure, factory defect or any other damages for units installed in non-commercial foodservice or residential applications.



Parts & Labor



Compressor



08/2021



APPT Series Pizza Prep Table



www.AvantcoRefrigeration.com

MODELS #178APPT49HC

TECHNICAL DATA

Dimensions

Exterior Dimensions	49 ⁷ / ₈ " x 31 ¹ / ₂ " 42 ⁷ / ₈ "
Interior Dimensions	27 ³ / ₈ " x 26 ³ / ₁₆ " x 22 ⁷ / ₈ "
Depth (with Door Open)	62 ⁷ / ₈ "
Overall Height (with Lid Open)	56 ³ / ₄ "
Net Volume	9.5 cu. ft.
Net Weight	309 lb.
Gross Weight	364 lb.
Packaging Dimensions	55 ¹ / ₈ " x 36 ⁵ / ₈ " x 45 ⁷ / ₈ "

Construction

Exterior Material	Type 430 Stainless Steel
Interior Material	Painted Aluminum
Insulation Material	Foamed-in-place polyurethane
Shelf Size	(1) 26 ³ / ₄ " x 24 ³ / ₈ "
Shelf Material	Epoxy-coated steel
Shelf Load Capacity	90 lb.

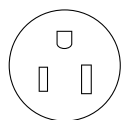
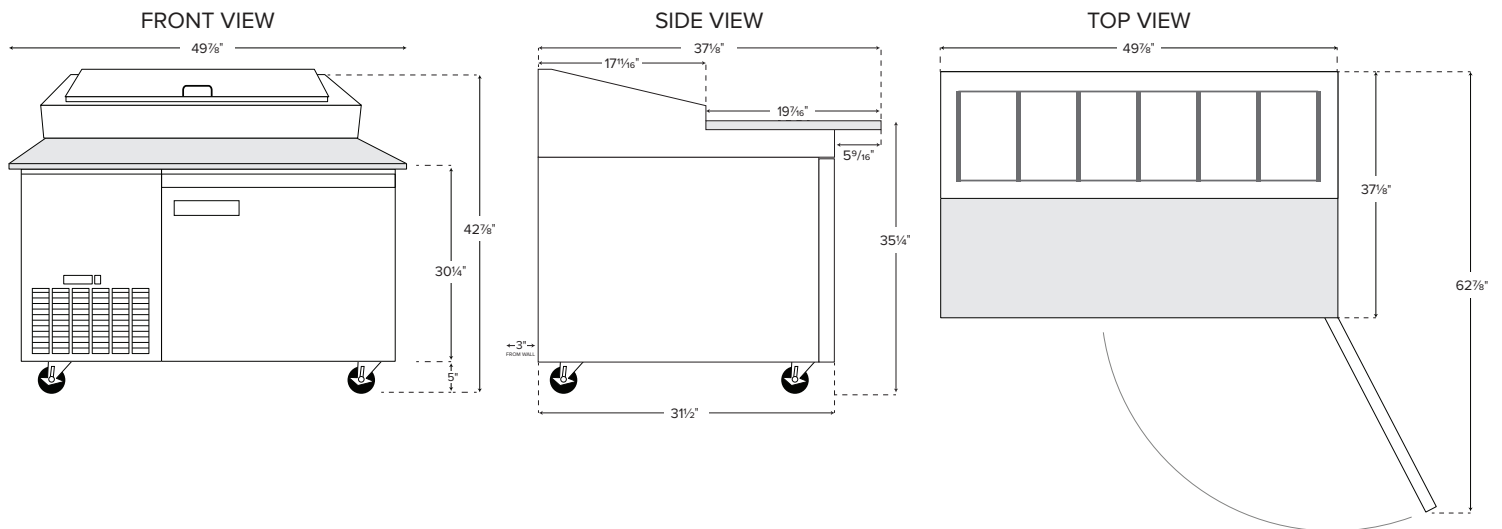
Cooling

Temperature Range	33°F - 40°F
Refrigerant	R290
Max. Ambient Temperature	90°F
Defrosting	Automatic
Temperature Controller	Digital
Horsepower	1/6
BTU (BTU/hr)	501

Electrical

Voltage	115
Amps	4.0
Hz	60
Phase	1
Plug Type	NEMA 5-15P
Electrical Cord Length	98"

PLAN VIEW



NEMA 5-15P