

Full Size Electric Countertop Food Cooker/Warmer/ Topping Station

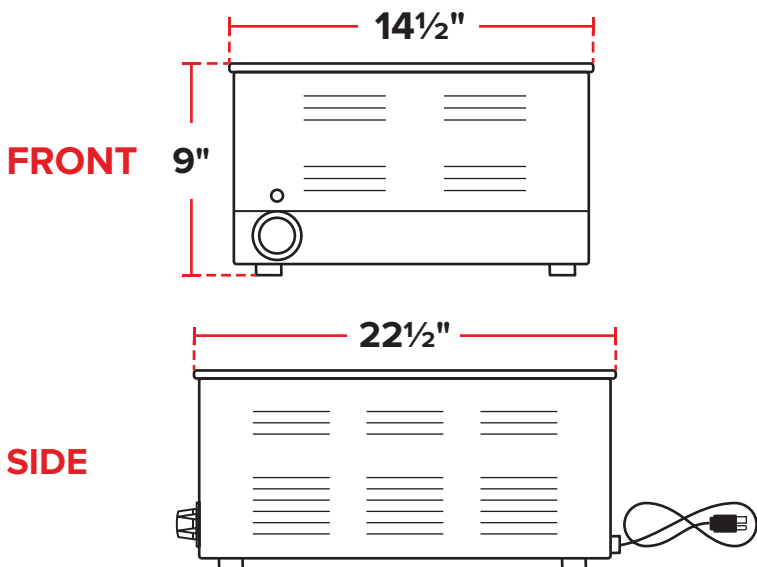


ITEM NUMBER

#177WK15007PL

SPECIAL FEATURES

- Cooks and holds your products at food safe temperatures
- Stainless steel water well with level markings
- Powerful 1500W heating elements allow this unit to both cook and warm food
- Includes a steam table adapter, (2) 7 qt. insets, 1 ladle, 1 condiment pump, and 1 lid
- 120V



TECHNICAL DATA

Interior Dimensions	12" x 20" x 6 1/4"
Exterior Dimensions	14 1/2" x 22 1/2" x 9"
Temperature Range	120-212° F
Voltage	120V
Wattage	1500W
Hertz	60Hz
Amps	12.5 Amps
Phase	1
Material	Stainless Steel



5-15P