



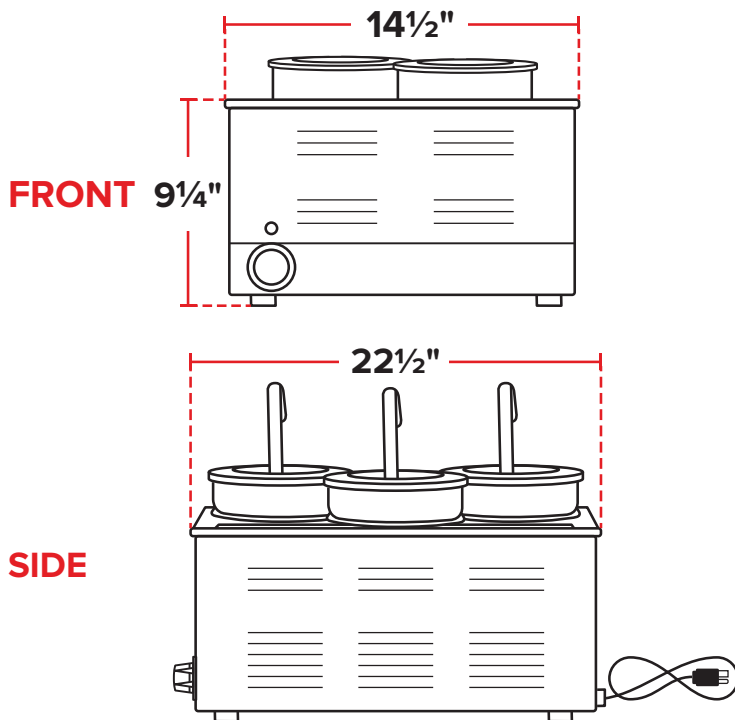
Full Size Electric Countertop Food Cooker/Warmer

ITEM NUMBER

#177WK15004X3

SPECIAL FEATURES

- Cooks and holds your products at foodsafe temperatures
- Stainless steel water well with leveling marks
- Powerful 1500W heating elements
- Includes a steam table adapter, (3) 4 qt. insets, 3 lids, and 3 ladles



TECHNICAL DATA

Interior Dimensions	12" x 20" x 6 1/4"
Exterior Dimensions	14 1/2" x 22 1/2" x 9 1/4"
Temperature Range	120-212° F
Voltage	120V
Wattage	1500W
Hertz	60Hz
Amps	12.5 Amps
Phase	1
Material	Stainless Steel



5-15P