



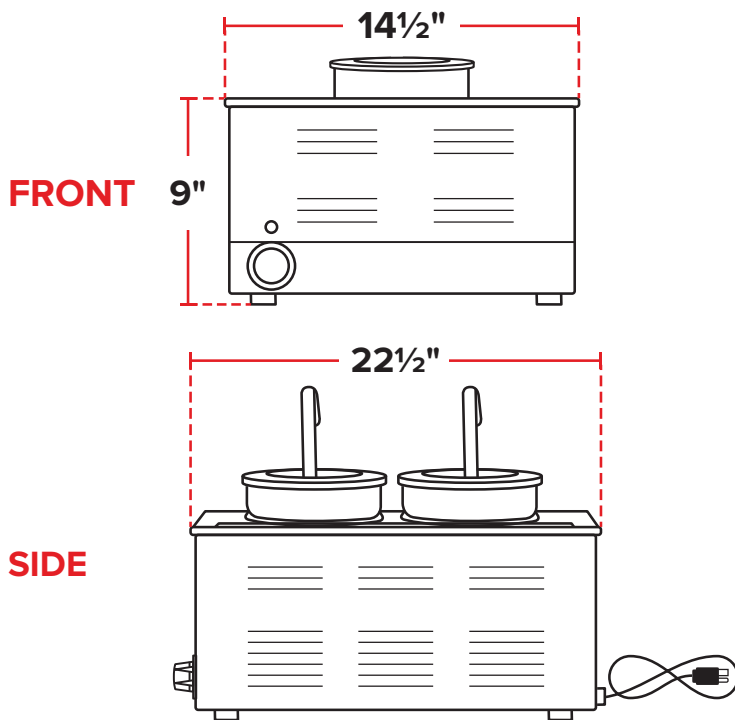
Full Size Electric Countertop Food Cooker/Warmer

ITEM NUMBER

#177WK150047

SPECIAL FEATURES

- Cooks and holds your products at foodsafe temperatures
- Stainless steel water well with leveling marks
- Powerful 1500W heating elements allow this unit to both cook and warm food
- Includes adapter plate, (1) 7 qt. inset, (1) 4 qt. inset, 2 ladles, and 2 lids



TECHNICAL DATA

Interior Dimensions	12" x 20" x 6 1/4"
Exterior Dimensions	14 1/2" x 22 1/2" x 9"
Control Type	Thermostatic
Voltage	120V
Wattage	1500W
Phase	1
Material	Stainless Steel



5-15P