



3 Pan Open Well Electric Steam Table

ITEM NUMBER

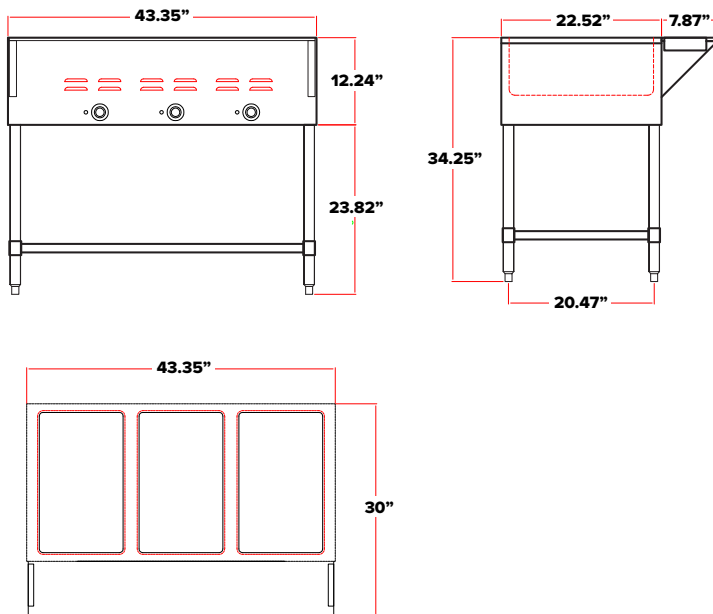
#177STE3S

SPECIAL FEATURES

- Stainless steel and galvanized construction
- Polyethylene 8" deep cutting board
- Accommodates 3 full size food pans at a time
- Undershelf provides additional space for utensils, pans, or lids
- Independent infinite control knobs with indicator lights
- 500W per well
- Open well design can be used dry or wet (spillage pan sold separately)

TECHNICAL DATA

Exterior Dimensions	43" x 30" x 34"
Voltage	120V
Wattage	1500W
Base Style	Undershelf
Casters	No
Control Type	Infinite
Material	Stainless Steel/Galvanized Steel
Number of Pans	3
Power Type	Electric
Style	Heated
Type	Stationary
Well Type	Open Well



RECOMMENDED COMPANION PRODUCTS

Item Number	Product Description
147STRIKEQT	Noble Chemical Strike Cleaner and Degreaser
147QUIKSAN	Noble Chemical Surface Sanitizer