

PROJECT: _____

MODEL: _____ SERIAL#: _____

ITEM #: _____ QUANTITY: _____

APPROVAL: _____ DATE: _____



14 Qt. Round Countertop Food/Soup Kettle Warmer

ITEM NUMBER

#177S600

SPECIAL FEATURES

- Holds foods like soup, gravy, stew, or nacho cheese at safe temperatures between 105-195°F
- Features a stainless steel construction for durability and a professional looking black exterior
- Lid has cool-touch handle and hinged design to provide safe handling and to prevent contamination
- Designed with a removable lid and inset for easy cleaning and magnetic labels for labeling



TECHNICAL DATA

Height	16"
Diameter	16"
Voltage	110V
Wattage	600W
Hertz	60Hz
Amps	5.5 Amps
Capacity	14 qt.
Control Type	Dial
Temperature Range	105-195°F
Inset Material	Stainless Steel
Exterior Color	Black

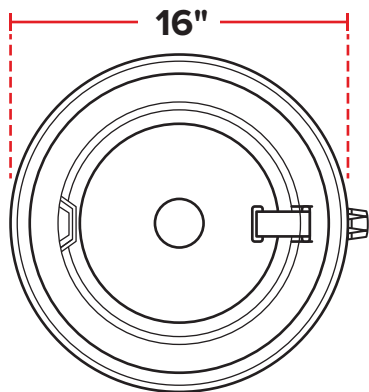


Intertek



5-15P

TOP



SIDE

