



60 Qt. Gear-Driven Planetary Floor Mixer

ITEM NUMBER

#177MX60

SPECIAL FEATURES

- 3-speed, 2½ HP, 3 phase motor and direct-drive; gear driven transmission to withstand daily use
- Sturdy floor model with heavy-duty feet; automatic safety overload switch to protect motor
- 60 Qt. 304 stainless steel bowl with handles and power bowl lift; includes bowl truck
- Includes stainless steel wire whip, cast aluminum dough beater, and dough hook
- Easy to use with simple on/off buttons and safety switch to ensure bowl guard is in place



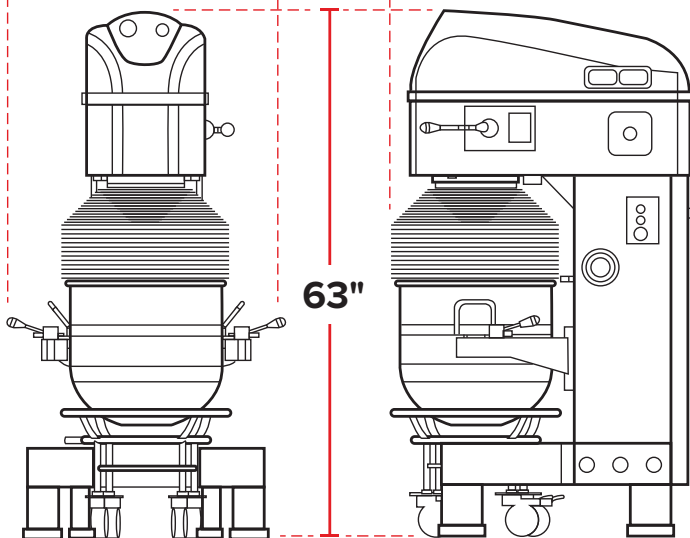
FRONT

30"

SIDE

36"

63"



TECHNICAL DATA

Width	30"
Depth	36"
Height	63"
Voltage	240V
Wattage	1,750W
Hertz	60Hz
Amps	9.58-10.45 Amps
Phase	3
Horsepower	2½ HP
Speeds	3
RPM	98-186 RPM
Capacity	60 Qt.



5-15P

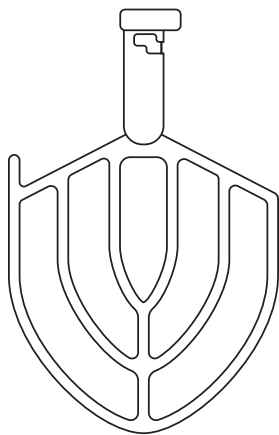
PROJECT: _____
 MODEL: _____
 ITEM #: _____ QUANTITY: _____
 APPROVAL: _____ DATE: _____

60 Qt. Gear-Driven Planetary Stand Mixer #177MX60

MIXER CAPACITIES

Ingredient Type	Agitator	Speed	177MX10	177MX20	177MX30	177MX40	177MX60
Bread and Roll Dough (60% AR)	Dough Hook	1st Only	5 LB.	20 LB.	25 LB.	30 LB.	50 LB.
Heavy Bread Dough (55% AR)	Dough Hook	1st Only	3 LB.	15 LB.	20 LB.	25 LB.	40 LB.
Pizza Dough, Thin (40% AR)	Dough Hook	1st Only	Not Recommended	Not Recommended	10 LB.	15 LB.	25 LB.
Pizza Dough, Medium (50% AR)	Dough Hook	1st Only	Not Recommended	Not Recommended	15 LB.	20 LB.	35 LB.
Pizza Dough, Thick (60% AR)	Dough Hook	1st Only	Not Recommended	Not Recommended	25 LB.	30 LB.	40 LB.
Raised Donut Dough (65% AR)	Dough Hook	1st & 2nd	2 LB.	8 LB.	12.5 LB.	17.5 LB.	25 LB.
Mashed Potatoes	Flat Beater	All Speeds	5 LB.	12.5 LB.	15 LB.	20 LB.	35 LB.
Waffle or Pancake Batter	Flat Beater	All Speeds	4 QT.	8 QT.	10 QT.	15 QT.	20 QT.
Cake Batter	Flat Beater	All Speeds	8 LB.	20 LB.	20 LB.	25 LB.	35 LB.
Egg Whites (Meringue)	Wire Whip	All Speeds	1 PT.	1 QT.	1.5 QT.	1.75 QT.	2 QT.
Whipped Cream	Wire Whip	All Speeds	1 QT.	2 QT.	3 QT.	4 QT.	6 QT.

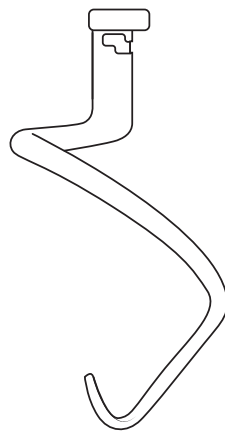
ACCESSORIES



FLAT BEATER

#177MX (10/20/30/40/60) BEAT

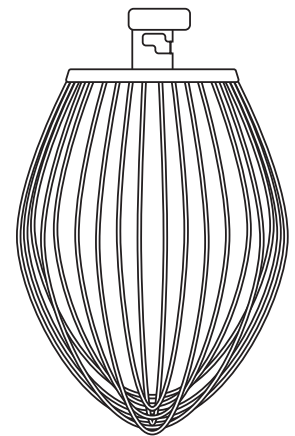
- Made of durable cast aluminum
- Ideal for normal to thick batters like cake mixes and hard cookie dough



DOUGH HOOK

#177MX (10/20/30/40/60) HOOK

- Made of durable cast aluminum
- Ideal for bread, donut & pizza dough



WIRE WHIP

#177MX (10/20/30/40/60) WHIP

- Made of durable stainless steel
- Ideal for making icing, fillings, meringue, and whipped cream