

PROJECT: _____

MODEL: _____

ITEM #: _____ QUANTITY: _____

APPROVAL: _____ DATE: _____



40 lb. Stainless Steel Liquid Propane or Natural Gas **Floor Fryer**

ITEM NUMBERS

#177FF300L
#177FF300N

SPECIAL FEATURES

- All stainless steel tank, door, front, top, ledge, and header; galvanized steel sides
- Easy to use thermostat for accurate and adjustable temperature between 200-400°F
- 40 lb. fry pot, with an efficient and quiet 3 tube burner system, and full port drain
- Two nickel chrome wire mesh fry baskets included
- 3/4" gas connection



RECOMMENDED COMPANION PRODUCTS

Item Number	Product Description
147FCBOILOUT	Fryclone Boil-Out Fryer Cleaner

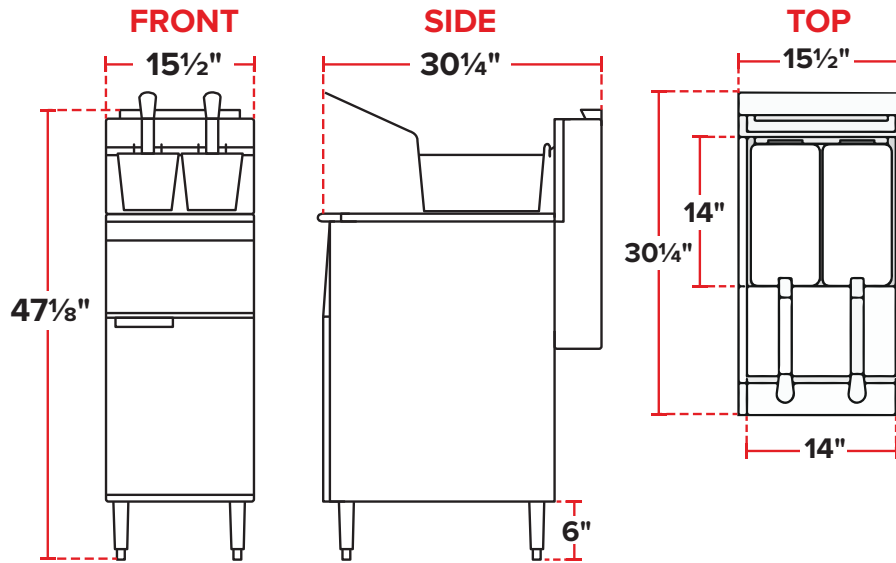
ACCESSORIES

Item Number	Product Description
177CASTER	5" Casters for Avantco Floor Fryers
600GKM3448	48" Regency Mobile Gas Connector Hose Kit
407FB136PH	13" x 6½" x 6" Nickel-Plated Metal Fryer Basket



PROJECT: _____
 MODEL: _____
 ITEM #: _____ QUANTITY: _____
 APPROVAL: _____ DATE: _____

40 lb. Stainless Steel Floor Fryer #177FF300L, #177FF300N



TECHNICAL DATA

Product Dimensions

Item Number	Overall Oil Capacity	Exterior Dimensions	Tank/Pot Dimensions	Total BTU/HR	Power Type
177FF300N	40 LB.	15.5" x 30.25" x 47.125"	14" x 14"	90,000	Natural Gas
177FF300L	40 LB.	15.5" x 30.25" x 47.125"	14" x 14"	90,000	Liquid Propane
177FF400N	50 LB.	15.5" x 30.25" x 47.125"	14" x 14"	120,000	Natural Gas
177FF400L	50 LB.	15.5" x 30.25" x 47.125"	14" x 14"	120,000	Liquid Propane
177FF518N	70-100 LB.	21" x 34.25" x 47.125"	18" x 18"	150,000	Natural Gas
177FF518L	70-100 LB.	21" x 34.25" x 47.125"	18" x 18"	150,000	Liquid Propane

Shipping Dimensions

Item Number	Package Dimensions	Crated Weight LBS.
177FF300N	33.07" x 18.11" x 33.86"	176
177FF300L	33.07" x 18.11" x 33.86"	176
177FF400N	33.07" x 18.11" x 33.86"	192
177FF400L	33.07" x 18.11" x 33.86"	192
177FF518N	37.4" x 24.02" x 33.86"	265
177FF518L	37.4" x 24.02" x 33.86"	265

WARNING

There must be adequate clearance between fryer(s) and construction. Clearance must also be provided in front for servicing and for operation.

Minimum Clearances:

From Combustible Construction

Sides: 6
 Rear: 6

ALL AVANTCO FLOOR FRYERS SHALL BE INSTALLED WITH AT LEAST A 16 INCH SPACE BETWEEN THE FRYER AND SURFACE FLAMES FROM ADJACENT EQUIPMENT.

No additional side and rear clearance is required for service as the fryer is serviceable from the front.