

PRODUCT:

QUANTITY:

ITEM #:

Designed Smart

Increased Performance in Cooking

Energy efficient tortilla grill comes with adjustable snap action thermostat. Heats from 100-425 degrees (F). Complete with cord, plug, and 20"x 23 ½ grill surface

Saves Time and Clean-up Labor Cost

- Maintenance is easier with bottom-mounted grease collection pan.
- Field convertible and adjustable gas regulator.



Model TG-2025 Energy Efficient Tortilla Grill

Reliability backed by APW Wyott's Warranty

APW Wyott Tortilla Grill is backed by 1-year parts and labor warranty, including on-site service calls within 50 miles of authorized service technicians

Certified by the following agencies:



APW Wyott Design Features

- Thick, stainless steel construction on front panel
- Top skirt protects against kitchen 'wear and tear' and rust.
- Welded construction.
- 5/16" thick polished aluminum griddle surface stands up to years of high output cooking.
- Griddle plate is fully welded to base.
- No grease trough.

See reverse side for product specifications.

PRODUCT:

QUANTITY:

ITEM #:

PRODUCT SPECIFICATIONS

Construction:

Electrical Specifications:

TG-2025: 120V, 1600W
 TG-2025: 208V, 1200W, 5.8Amps
 240V, 1600W, 6.7Amps

Power Cord: 6' power cord with NEMA6-15P plug

Cooking Surface:

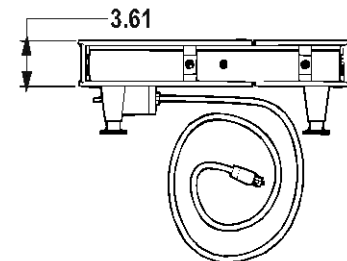
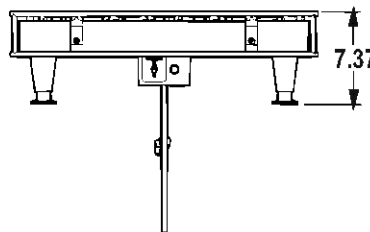
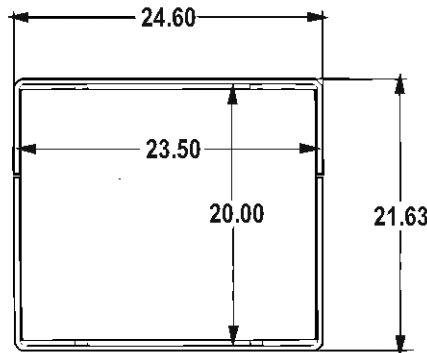
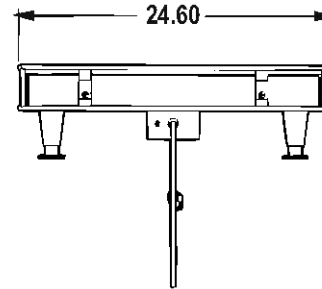
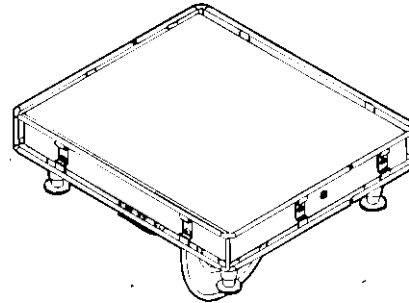
TG-2025: 20" x 23 1/2" Grill Surface

Overall Dimensions:

TG-2025: 7.38" H x 24 5/8" W x 21 5/8" D

Shipping Information:

TG-2025: 55 lbs. (24.95 kg)
 Shipping Dimensions: 30H" x 27W" x 10D"
 F.O.B. Cheyenne, WY 82007



*APW Wyott reserves the right to modify specifications or discontinue models without incurring obligation.