

PRODUCT:

QUANTITY:

ITEM:

## Designed Smart

RW-1V and RW-2V models have heating elements surrounding the sides that evenly distribute heat throughout the unit. Effectively keeps hot foods, soups and sauces at consistent levels above 140 degrees. Provided with insulation to protect interior parts and countertops from heat build-up. Round Warmers are constructed with heavy-duty stainless steel for long life. Interior liner is made with durable stainless steel.



Model RW-1V Countertop Round Warmer 7 Quart



Model RW-2V Countertop Round Warmer 11 Quart

## APW Wyott Design Features

- 7 quart (RW-1V) and 11 quart (RW-2V) capacity
- Stainless steel housing with stainless steel liner
- Thermostatic control (adjusts to low, medium and high)
- Raised liner edge prevents outside condensation
- Control and cord are located on the back of the warmer
- Electric band element provides fast, even heat
- Wet or dry operation
- Uses standard insets and covers. (Not included)

## Reliability backed by APW Wyott's Warranty

These APW Wyott Warming Equipment styles are backed by a 1-year Parts and Labor warranty, including our "Enhanced Warranty" service that replaces new units with certain product issues through the convenience of direct factory shipments.

•Certified by the following agencies:



\*Warranty does not include rock grates, cooking grates, burners shields or fireboxes.

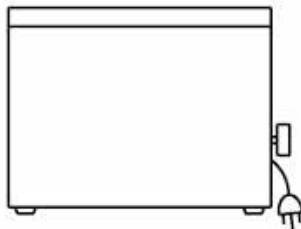
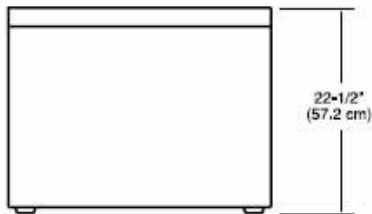
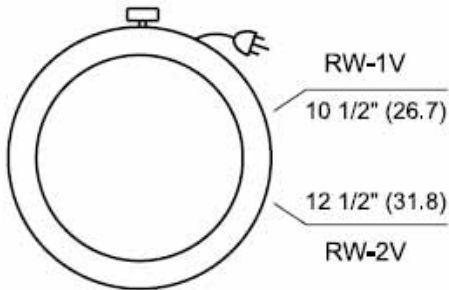
See reverse side for product specifications.

PRODUCT:

QUANTITY:

ITEM:

### PRODUCT SPECIFICATIONS



(Centimeters in Parenthesis)

#### Construction:

Stainless steel housing; stainless steel liner, fiberglass insulation.

#### Electrical Information:

Each unit is equipped with a 60", three wire grounded power cord which terminates with a standard three pronged male plug. The 120V unit uses a NEMA 5-15P plug.

#### Electrical Specifications:

RW-1V: 120V, 500W, 4.2Amps  
 RW-2V: 120V, 700W, 5.8Amps  
 RW-2V: 220V, 700W, 1ph 50/60 HZ  
 (supplied with out electrical plug)

#### Overall Dimenstions:

RW-1V: 8 1/4" H x 10 1/2" D  
 (21cm x 26.7cm)  
 RW-2V: 8 1/2" H x 12 1/2" D  
 (21cm x 31.8cm)

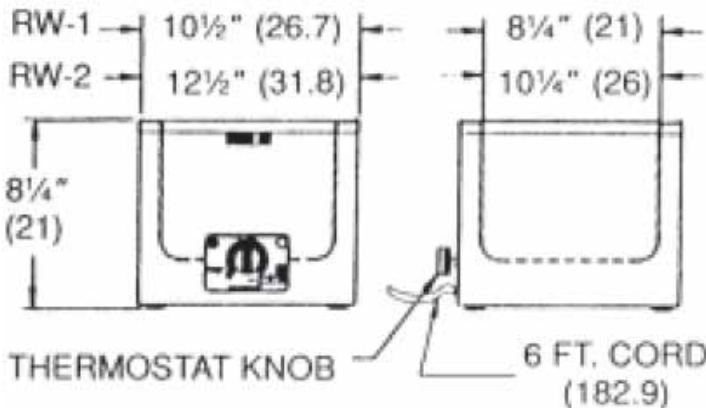
#### Capacity:

RW-1V: 7 qts. (6.6L)  
 RW-2V: 11 qts. (10.4L)

#### Shipping Weight:

Standard	Special Pkg.*
RW-1V: 10 lbs. (4.5kg)	11 lbs. (5 kg)
RW-2V: 11 lbs. (5 kg)	12 lbs. (5.4 kg)

\*Special package includes inset, hinged cover and ladle.



F.O.B. Standex Dock

\*APW Wyott reserves the right to modify specifications or discontinue models without incurring obligation.