

PRODUCT

QUANTITY:

ITEM #

MODELS:  ICT-18A  ICT-25A

## Commercial Grade Electronics

- Every electronic component specified for the commercial kitchen environment
  - Robust internal components
  - grease filters
  - high capacity cooling

## Self Diagnostics

- Built-in microprocessor
  - Monitors key internal components 120 times per second
  - Prevents overheating and/or blocked airflow

## Heavy Duty Ceramic Glass Smoothtop

- Withstands temperatures up to 1000°F
- Tough Schott Glass surface
- Easy to clean

## Easy To Use Controls

- Cook by the numbers
- Heat level visual display



## APW Wyott Design Features

- Flat Table Top Induction with rotary power control
- 2500W, 208/240V, 50/60Hz
- 1800W, 120V, 50/60Hz
- 13" x 16-5/8" x 4-3/8"
- Easy to read display and temperature settings.
- Table top with 1 inch feet
- Separate Heat / Hold Modes
- For use with induction-ready cookware
  - Ferrous Stainless Steel
  - Iron
  - Cast Iron



Intertek

See reverse side for product specifications

PRODUCT

QUANTITY:

ITEM #

MODELS:  ICT-18A  ICT-25A

**Product Specifications**

**Construction:**

Stainless steel body with Shott Glass top

**Dimensions:**

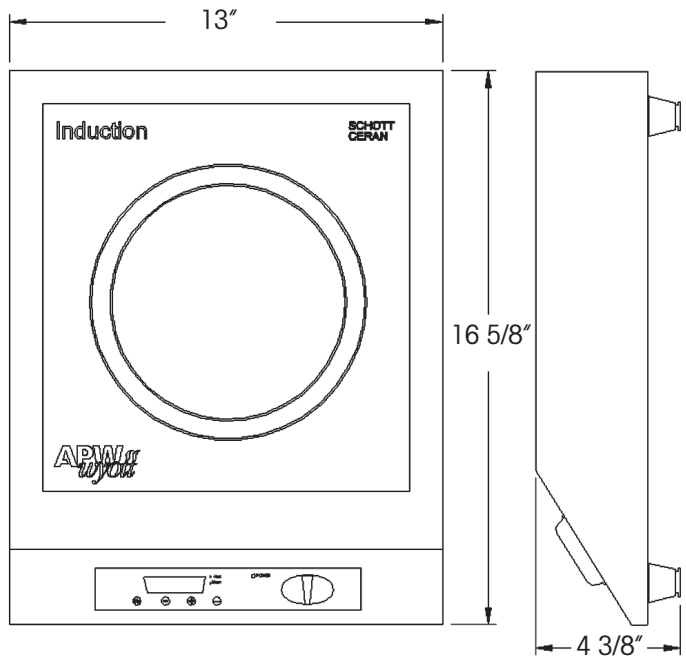
13" x 16 5/8" x 4 3/8"  
(33 cm x 42 cm x 11 cm)

**Electrical Information:**

Each unit is equipped with at least a 66", three wire grounded power cord, which terminates with a standard three-pronged male plug. The U.S. 120V units utilize a NEMA 5-15P plug; the U.S. 208/240V units utilize a NEMA 6-15P plug.

**Electrical Specifications:**

Model	Amps	Volts	Hz	Watts
ICT-18A	15.2	120	50/60	1800
ICT-25A	9.4/10.8	208/240	50/60	2000/2500



**Shipping Information:**

18 Lbs (8.2 kg)  
Freight Class: 92 ½  
FOB: Arizona, 85621

*\*APW Wyott Reserves the right to modify specifications or discontinue models without incurring obligation.*