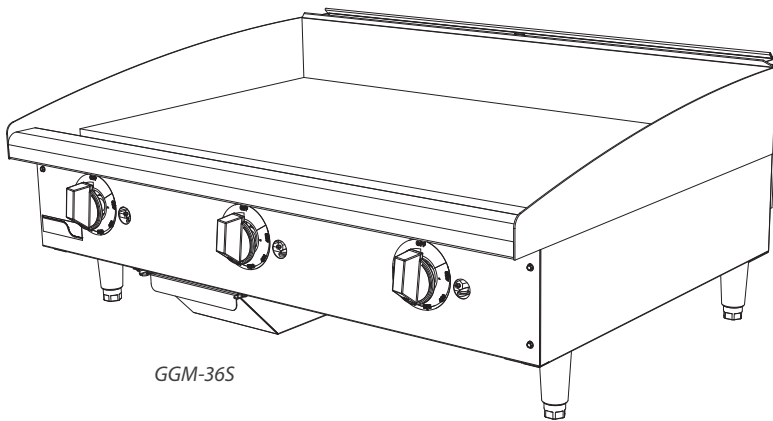




Job \_\_\_\_\_ Item No. \_\_\_\_\_

## GAS GRIDDLE

GGM-18S, GGM-24S, GGM-36S, GGM-48S  
GGT-18S, GGT-24S, GGT-36S, GGT-48S



GGM-36S

### Features

- NEW Ultra smooth 3/4" thick polished steel plate.
- Manual griddle designed with 1/4 turn manual control and standing pilot.
- Thermostat griddles feature throttling thermostat that adjust from 150° - 450°F.
- Available in 18", 24", 36" and 48" widths.
- High performance 20,000 BTU aluminized steel "U" shape burner every 12".
- Spatula wide 3-1/4" front grease trough and grease chute.
- Stainless steel front panel, bull nose and grease drawer.
- 3/4" rear gas connection and universal pressure regulator supplied. Field convertible to LP with orifices included.
- 4" nickel plated steel legs.

### Applications

APW Wyott Countertop Gas Griddles are the most economical and flexible Countertop Griddles in the food service industry. They offer unsurpassed performance, combining a proven control system with APW Wyott quality and durability. Available in four different widths - 18", 24", 36" and 48".

### Specifications

APW Wyott Gas Griddles are constructed with a stainless steel front panel and reinforced wall aluminized steel side panels. Griddle plate is 3/4" (1.9 cm) thick steel plate with 4-3/8" (11.1 cm) high tapered wrap-around stainless steel splash guard. Unit has 3-1/4" (8.3 cm) wide front grease trough with grease chute and a 4-1/2 qt. (4.257 L) stainless steel grease drawer. Unit is equipped with a 20,000 BTU aluminized steel burner for every 12" (30.5 cm) of width and is controlled by a either manual control valve or throttling thermostat. Valve knobs are protected by a stainless steel bull nose front. A standing pilot is provided. Griddles are supplied with 4" (10.2 cm) high die cast nickel-plated legs with a 1-3/8" (3.5 cm) adjustment. Gas connection is a 3/4" (1.3 cm) N.P.T. male with a convertible pressure regulator. Units are approved for installation within 6" (15.2 cm) of combustible and non-combustible surfaces and are UL Gas Certified and UL Sanitation listed. Printed in the U.S.A. Printed in the U.S.A.

### Warranty

These units come with a one [1] year warranty for parts and labor.



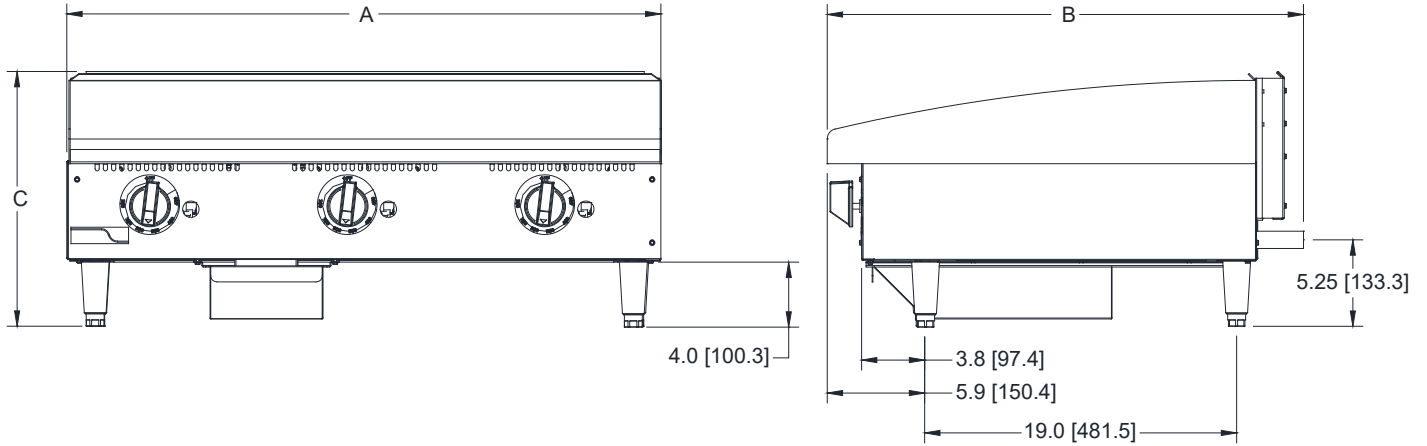
APW Wyott • www.apwwyott.com  
265 Hobson St. • Smithville, TN 37166  
Telephone: (800) 527-2100

Printed in the U.S.A. • 2M-Z23875 • Rev A (07/21)  
Specifications are subject to change without notice.  
Please refer to the owner's manual for information regarding installation or use.

APW Wyott is a registered trademark of APW Wyott®, A Middleby Company. All rights reserved.

# SPECIFICATIONS

GGT-36S



\*UNITS OPERATE ON NATURAL GAS OR PROPANE GAS  
3/4" (1.9 cm) N.P.T. Male Gas Connection

Model No.	(A) Width Inches (cm)	(B) Depth Inches (cm)	(C) Height Inches (cm)	(L1) Leg Width Inches (cm)	No. Controls	BTU	Grid Area	Installed Weight lbs. (kg)	Shipping Weight lbs. (kg)
GGT-18S	18 (457.2)	29 (73.7)	15-1/2 (39.4)	14.75 (37.5)	1	20,000	366 SQ. IN. 2361 SQ. CM.	111 (50.3)	123 (55.8)
GGT-24S	24 (61.0)	29 (73.7)	15-1/2 (39.4)	20.75 (52.7)	2	40,000	489 SQ. IN. 3155 SQ. CM.	148 (67.1)	158 (71.7)
GGT-36S	36 (91.4)	29 (73.7)	15-1/2 (39.4)	32-3/4 (83.2)	3	60,000	735 SQ. IN. 4742 SQ. CM.	221 (100.2)	236 (107.0)
GGT-48S	48 (121.9)	29 (73.7)	15-1/2 (39.4)	44-3/4 (113.7)	4	80,000	981 SQ. IN. 6329 SQ. CM.	295 (133.8)	315 (142.9)
GGM-18S	18 (457.2)	29 (73.7)	15-1/2 (39.4)	14.75 (37.5)	1	20,000	366 SQ. IN. 2361 SQ. CM.	111 (50.3)	123 (55.8)
GGM-24S	24 (61.0)	29 (73.7)	15-1/2 (39.4)	20.75 (52.7)	2	40,000	489 SQ. IN. 3155 SQ. CM.	148 (67.1)	158 (71.7)
GGM-36S	36 (91.4)	29 (73.7)	15-1/2 (39.4)	32-3/4 (83.2)	3	60,000	735 SQ. IN. 4742 SQ. CM.	221 (100.2)	236 (107.0)
GGM-48S	48 (121.9)	29 (73.7)	15-1/2 (39.4)	44-3/4 (113.7)	4	80,000	981 SQ. IN. 6329 SQ. CM.	295 (133.8)	315 (142.9)

## INTENDED FOR COMMERCIAL USE ONLY. NOT FOR HOUSEHOLD USE.

Due to periodic changes in designs, methods, procedures, policies and regulations, the specifications contained in this sheet are subject to change without notice. While APW Wyott exercises good faith efforts to provide information that is accurate, we are not responsible for errors or omissions in information provided or conclusions reached as a result of using the specifications. By using the information provided, the user assumes all risks in connection with such use.

**APW Wyott** • [www.apwwyott.com](http://www.apwwyott.com)  
265 Hobson St. • Smithville, TN 37166  
Telephone: (800) 527-2100

Printed in the U.S.A. • 2M-Z23875 • Rev A (07/21)  
Specifications are subject to change without notice.  
Please refer to the owner's manual for information regarding installation or use.

APW Wyott is a registered trademark of APW Wyott®, A Middleby Company. All rights reserved.