

PRODUCT:

Models: CWC-1 CWC-2 CWC-3 CWC-4 CWC-5 CWC-6

QUANTITY:

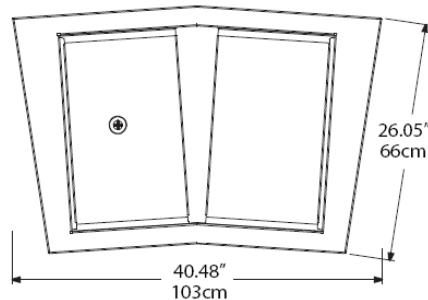
ITEM:

Designed Smart

Compact Design with High Output

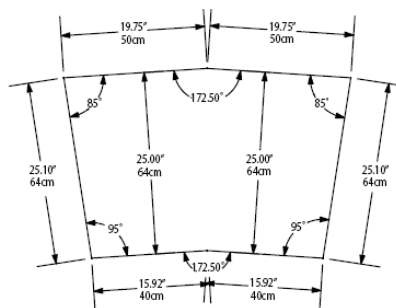
The Drop-In Cold Well provides an economic solution to the cost of in-counter refrigeration.

- Uses R-134a refrigerant.
- Can hold cold food at 34 F to 40 F for extended periods.
- Interior temperature is factory set, but can be field adjusted depending on unit's application.



APW Wyott Design Features

- Holds standard steam table pans
- Energy saving
- Field adjustable temperature
- Stainless steel construction with fully insulated walls
- Supplied with 6 ft. cord and NEMA 5-15P plug
- Drain provided with stopper
- NSF-7 certified performance
- Push-in perimeter gasket
- Stainless steel louver provided
- Thermostat for temperature control



Option and Accessories

- COMP-5 5-year compressor warranty
- Pan dividers standard; special adaptor top for pans available

Reliability backed by APW Wyott's Warranty

APW Wyott Drop-In Cold Wells are backed by a 1-year parts and labor warranty, including on-site service calls within 50 miles of authorized service technicians.

Certified by the following agencies:



See reverse side for product specifications.

PRODUCT:

QUANTITY:

Models: CW-1 CW-2 CW-3 CW-4 CW-5 CW-6
ITEM:

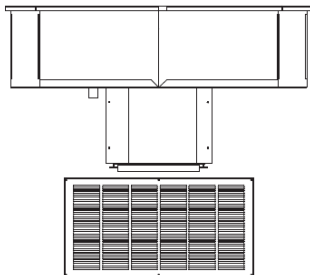
PRODUCT SPECIFICATIONS

Construction:

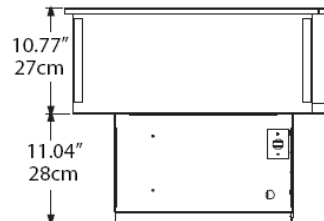
Interior is stainless steel; exterior is aluminized steel

Freight Class: 100

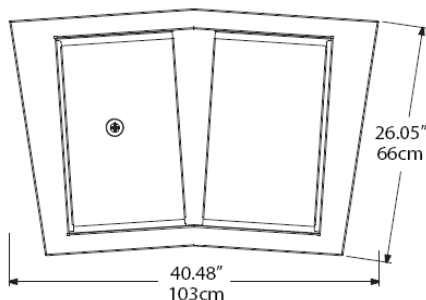
FOB: Cheyenne, 82007



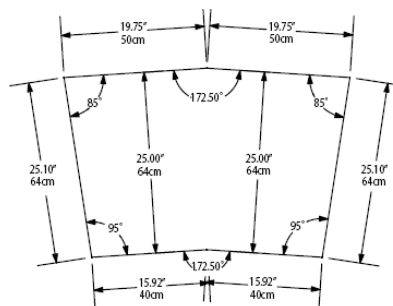
CWC-2 Elevation View



CWC-2 Side View



CWC-2 Plain View



CWC-2 Cut-Out View

Electrical SPECIFICATIONS

MODEL	VOLTS	Hz	PHASE	AMPS	COMPRESSOR	CHARGE
CWC-2	120	60	1	4	1/5 HP	9.50 oz.-R134A
CWC-3	120	60	1	4	1/5 HP	10.0 oz.-R134A
CWC-4	120	60	1	7	1/4 HP	11.0 oz.-R134A
CWC-5	120	60	1	7	1/4 HP	12.0 oz.-R134A

DIMENSIONS

MODEL	DIMENSIONS
CWC-2	40.48"L x 26.05"D
CWC-3	57.22"L x 26.05"D
CWC-4	73.68"L x 26.05"D
CWC-5	89.86"L x 26.05"D

MODEL	# OF PANS	WEIGHT
CWC-2	2	161 Lbs
CWC-3	3	184 Lbs
CWC-4	4	233 Lbs
CWC-5	5	243 Lbs

*APW Wyott reserves the right to modify specifications or discontinue models without incurring obligation.